

ELA-12V-32AH 12V 32Ah (Flag)

General Application

ELA-12V-32AH is a general purpose battery with 3~5 years in standby service or more than 400 cycles at 50% depth of discharge in cycle service.

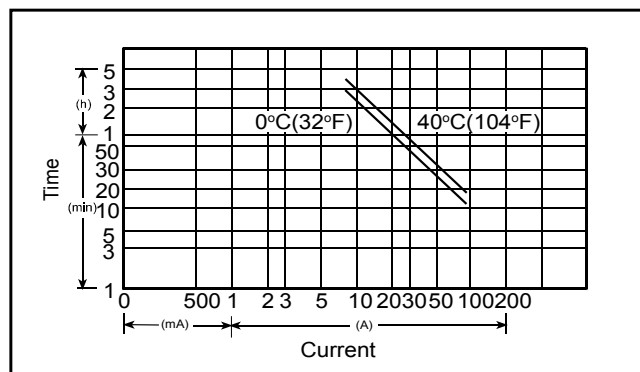
Specification

| | |
|---|-------------------------------|
| ● NOMINAL VOLTAGE | : 12 V |
| ● NOMINAL CAPACITY(20 hr) | : 32.0 Ah |
| ● DIMENSIONS | |
| TOTAL HEIGHT | : 178 mm (7.01 inches) |
| CONTAINER HEIGHT | : 158 mm (6.22 inches) |
| LENGTH | : 198 mm (7.80 inches) |
| WIDTH | : 130 mm (5.12 inches) |
| ● WEIGHT | : APPROX 11.6 Kg (25.58 lbs) |
| ● CONTAINER MATERIAL | : UL94HB ABS |
| | : UL94V-0 ABS |
| ● INTERNAL RESISTANCE(25°C , 77 °F) | : ~9mΩ |
| ● DISCHARGE CAPACITY UNDER DIFFERENT TEMPERATURES | |
| 40°C | : ~102% |
| 25°C | : ~100% |
| 0 °C | : ~85% |

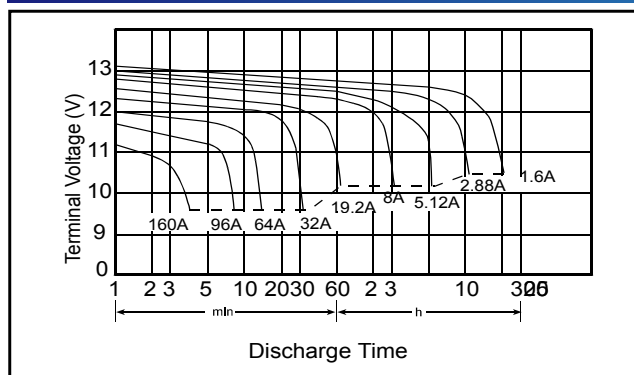
Characteristics

| | |
|--|------------------|
| ● CAPACITY 25 °C / 77 °F | |
| 20 hr @ 1.75 A | : 32 Ah |
| 5 hr @ 5.6 A | : 25.6 Ah |
| 1 hr @ 21 A | : 19.2 Ah |
| 1 C @ 35A | : 16 Ah |
| ● CHARGING VOLTAGE (25°C , 77 °F) | |
| STANDBY USE | : 13.65V ±0.15 V |
| CYCLE USE | : 14.7V ± 0.3V |
| ● MAX DISCHARGE CURRENT | : 300A (5 sec) |
| ● MAX CHARGING CURRENT | : 9.6 A |
| ● SELF-DISCHARGE RESIDUAL CAPACITY(25°C , 77 °F) | |
| AFTER 3 MONTHS | : 90% |
| AFTER 6 MONTHS | : 82% |
| AFTER 12 MONTHS | : 70% |

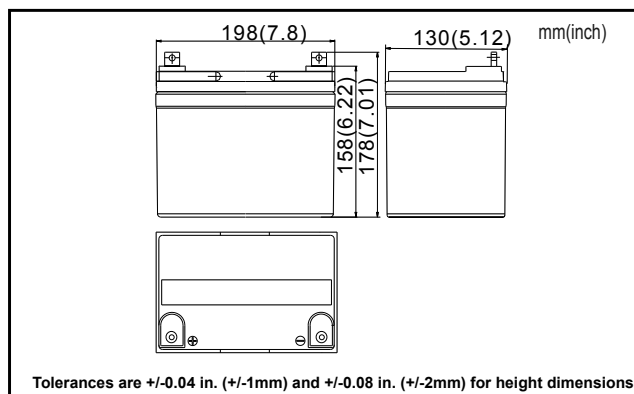
Discharge Current vs Time



Discharge Characteristics @25 °C (77 °F)



Dimensions



Terminal

