



120 V AC Photoelectric Talking Smoke & Carbon Monoxide Alarm

with 9V Front-Loading Battery Backup



Part Number **900-0213CA** Model **KN-COPE-ICCA**
10-Year Limited Warranty

Photoelectric Technology

Voice Warning

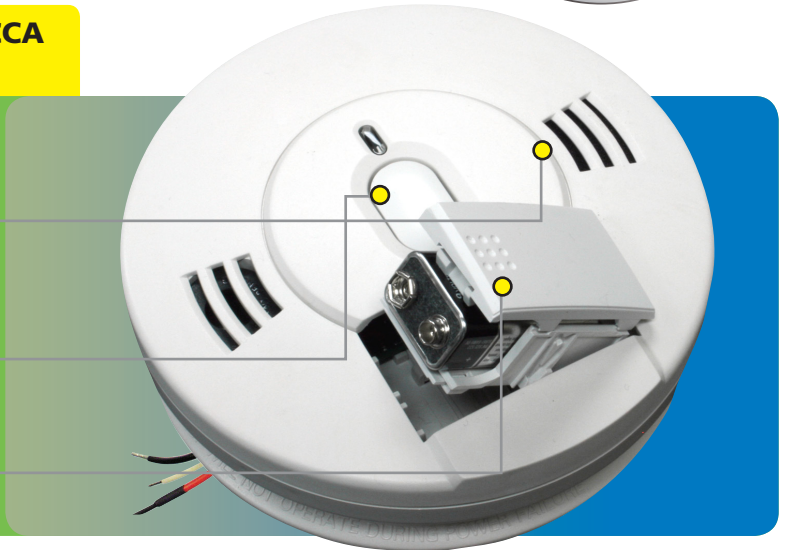
120 V AC Direct Wire

- Interconnects with up to 24 devices

Hush® /Test/Reset Button

Front-Loading Battery Door

- 9V Battery Backup



Features and Benefits

- **Combined Smoke & Carbon Monoxide Alarm** – A single unit can be installed where previously, two were needed. Reduces installation time and protects against both fire and carbon monoxide dangers.
- **Voice Warning** – Announces the hazard type detected (in English and French). Alarm announces “FIRE!” when a smoke or fire hazard is detected and announces “WARNING! CARBON MONOXIDE!” when a CO hazard is detected. Also announces “LOW BATTERY” when it is time to replace the batteries.
- **Photoelectric Technology** – May detect visible fire particles (associated with slow smoldering fires) sooner than ionization alarms
- **120V Interconnectable** – Will interconnect with up to 24 other devices (18 of which can be initiating), including smoke alarms (limit of 12), CO and heat alarms.
- **9V Front-Loading Battery Backup** – Change the battery without removing the unit from the ceiling, providing continuous protection in the case of a power outage.
- **Multi-function One Button Design includes:**
 - **Test Feature** – Simultaneously tests the unit’s electronics and verifies proper operation.
 - **Hush® Feature** – Temporarily silences nuisance alarms for approximately 10 minutes (smoke must be present before Hush® is activated. Will announce “Hush mode activated,” or “Hush mode cancelled.”).
 - **Reset Feature** – Resets the carbon monoxide alarm
 - **Alarm /Peak Level Memory** – If alarm has detected a CO level of 100ppm or higher since it was last reset, the green LED will blink once every 16 seconds and a voice alarm will announce “Caution! Carbon Monoxide Previously Detected” if the Test/Reset button is pressed.

- **Tamper Resistant** – Deters removal of the unit from the wall or ceiling and optional battery carrier tamper resist feature that prevents the battery door from being opened.
- **End of Life Notification** – Ten (10) years after unit is first powered, this alarm will “chirp” twice every 30 seconds to indicate it is time to replace the alarm.
- **End of Life Hush Feature** – Allows you to temporarily silence End of Life chirp 3 days at a time for a maximum of 30 day life extension.

Alarm Warnings

- **Fire:** The red LED will flash and be accompanied by three long alarm beeps followed by a verbal warning message “FIRE! FIRE!”. This pattern will repeat until smoke is eliminated.
- **Carbon Monoxide:** Four short alarm beeps followed by a verbal warning “WARNING! CARBON MONOXIDE!” After four minutes the alarm/voice pattern will sound once every minute until the unit is reset, or the CO eliminated.
- **Low Battery:** the red LED light will flash and the unit will “chirp” one time, followed by a verbal warning “LOW BATTERY”. his pattern will continue every minute for the first hour. After the first hour, the red LED light will flash once every minute accompanied by the chirp sound. The “LOW BATTERY” warning will only sound once every 15 minutes.
- **Voice Hush Indication:** “HUSH MODE ACTIVATED” and “HUSH MODE CANCELLED” voice announcement.

SIGNALISATION
SIGNALLING



LISTED
HOMOLOGUÉ

CSA-6.19-01

Architectural and Engineering Specifications

The combination smoke and carbon monoxide alarm shall be Kidde model KN-COPE-ICCA or approved equal. It shall be powered by 120 V AC, 60Hz source with a 9V battery backup. The temperature operating range shall be between 4.4°C (40°F) to 37.8°C (100°F) and the humidity operating range shall be 10%–95% relative humidity, non-condensing.

The unit shall incorporate a photoelectric smoke sensor with nominal sensitivity of 2.46 ± 0.99 %/ft. The CO sensor shall be of a fuel cell design and shall meet the sensitivity requirements of CAN/CSA 6.19-01 - Residential carbon monoxide alarming devices. The alarm can be installed on any standard single gang electrical box, up to a 4" octagon junction box. The electrical connection (to the alarm) shall be made with a plug-in connector.

A maximum of 24 Kidde devices can be interconnected in a multiple station arrangement. The interconnect system must not exceed the NFPA (National Fire Protection Association) limit of 18 initiation devices, of which 12 can be smoke alarms. With 18 initiation devices (smoke, heat, CO, etc.) interconnected, it is still possible to interconnect 6 strobe lights and or relay modules.

The alarm shall provide optional tamper resistance that deters removal of the unit from the wall or ceiling and locks the battery door closed. No additional pieces shall be required to activate this feature. The alarm shall include an easy access battery compartment that is opened and closed by pressing on the battery door. The 9V battery carrier will ensure proper battery backup protection by not allowing the battery door to close if the battery is placed in the unit incorrectly or if a battery is not present. The unit shall also provide an optional tamper resistant switch that will prevent the battery door from being opened.

The alarm shall include a test button that will electronically simulate the presence of smoke and CO and cause the unit to go into both modes of alarm. This sequence tests the unit's electronics to ensure proper operation.

The CO sensor will not alarm to levels of CO below 30 ppm and will alarm in the following time range when exposed to the corresponding levels of CO:

70 ppm CO Concentration	60 – 240 minutes
150 ppm CO Concentration	10 – 50 minutes
400 ppm CO Concentration	4 – 15 minutes

The combination alarm shall have two methods of warning for danger: a piezoelectric horn that is rated at 85 decibels at 10 feet and a voice warning that identifies the danger. For a CO incident, the horn will sound in four (4) short beeps followed by the verbal warning message "Warning Carbon Monoxide!". After four minutes the alarm/voice pattern will sound once every minute until the unit is reset, or the CO eliminated. The red LED light will flash while in alarm/voice mode. In a Smoke incident, the horn will sound three (3) long alarm beeps followed by the verbal warning message "FIRE! FIRE!". This pattern is repeated until the smoke is eliminated. The red LED light will flash while in alarm/voice mode.

The unit shall incorporate 2 LED's. A green LED will be steady on when AC power is present, flash every 30 seconds when in the battery only mode, every 16 seconds to indicate alarm memory, and every 2 seconds to indicate the Hush® mode is active. A red LED will flash in unison with the sounder pattern. The unit shall include the Hush® feature that silences the unit for approximately 10 minutes if a nuisance alarm condition occurs. The Green LED on the alarm will flash every 2 seconds while in Hush® and will automatically reset itself. It also provides voice announcement of "HUSH MODE ACTIVATED" when Hush® is activated and "HUSH MODE CANCELLED" when the Hush cycle ends.

The unit shall also indicate a low battery warning utilizing each of the following methods: the red LED will flash and the unit will "chirp" one time, followed by the warning message "LOW BATTERY!".

The unit shall at a minimum meet the requirements of CAN/CSA 6.19-01 and CAN/ULC-S531. It shall also include a 10-year manufacturer's limited warranty.

Ordering Information

UPC: 0-47871-09213-0

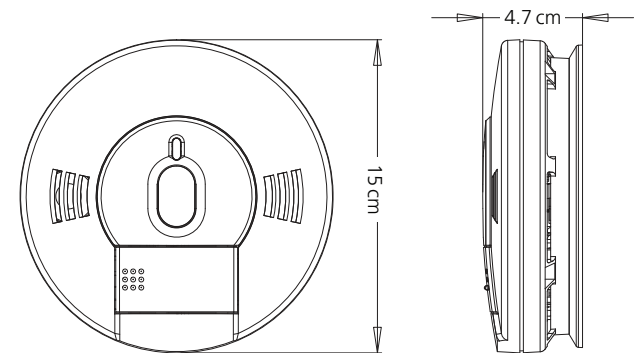
Part Number	12 of 5	Pack Quantity	Case Dimensions (w x d x h centimeters)	Case Weight	Case/Skid
900-0213CA	100-47871-09213-7	6 units	17 cm x 35 cm x 16 cm	2.70 kg	126



Kidde Canada Inc.
P.O. Box 40, Apsley, ON K0L 1A0
1-800-880-6788
www.kiddecanada.com

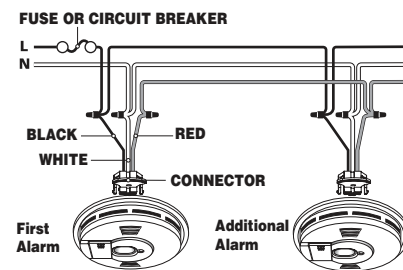
Technical Specifications

Power Source:	120V AC, 60Hz, 75 mA max per alarm 9V battery backup
Sensors:	Smoke: Photoelectric, CO: Electrochemical
Audio Alarm	85 dB at 10 ft
Temperature Range:	4.4°C (40°F) to 37.8°C (100°F)
Humidity Range:	10%-95% relative humidity, non-condensing
Size:	15 cm in diameter x 4.7 cm depth
Weight:	0.32 kg
Wiring:	Quick connect plug with 6" pigtails
Interconnects:	Up to 24 Kidde devices (of which 18 can be initiating)
Warranty:	10-year limited



Installation of Alarm

The combination alarm should be installed to comply with all local codes having jurisdiction in your area. Make certain all alarms are wired to a single, continuous (non-switched) power line, which is not protected by a ground fault interrupter. A maximum of 305 m (1000') of wire can be used in the interconnect system. Use standard CSA listed household wire (18 gauge or larger as required by local codes).



Distributed by: