



# C8ES300 & C8SE300 Series

Bilingual Extruded Aluminum Sign

Project/Location: \_\_\_\_\_

Contractor: \_\_\_\_\_

Date: \_\_\_\_\_

Prepared by: \_\_\_\_\_

## FEATURES

- Thin profile, 2-piece extruded aluminum housing simply slides together
- Pre-specified mounting
- Universal, field-selectable chevrons (knockout)
- Energy efficient – consumes less than 7W in AC or DC mode
- Normal AC and emergency DC operation  
120, 277 or 347V AC input; 6 to 24V DC input
- Available in single or double face
- Custom wording available on request
- Indirect refractive technology provides bright, even illumination
- Long-life **ALINGAP** technology, energy-efficient LED light source
- CSA certified, meets or exceeds CSA 22.2 No. 141 requirements



## TYPICAL SPECIFICATIONS

Supply and install the **Emergi-Lite® C8ES300 Series** LED Exit Sign. The equipment shall operate with universal AC input voltage of 120, 277 or 347VAC at less than 1.5W and universal two-wire DC input voltage from 6VDC to 24VDC at less than 2.5W for single and double face signs. The Exit Sign shall consist of a two-piece white extruded aluminum combined body/faceplate with a maximum depth of 1 1/4". The exit shall also include extruded aluminum end caps with white gaskets in order to provide protection to the internal components and eliminate any possible light leaks. The exit fixture shall be either single or double-faced as shown on the drawings. The faceplate shall be of a stencil design and will have 6" high letters with a 3/4" stroke indicating both EXIT and SORTIE side by side. The canopy shall fasten to the exit body for ease of installation in either ceiling or wall mount. The fixture shall contain a light source, which shall be LED with a long life and shall consist of separate AC and DC LED sources in the case of AC/DC-remote equipment. Red LED technology shall be **ALINGAP**.

The Exit Sign in a Self-Powered configuration shall be equipped with a Nickel-Cadmium battery and shall stay illuminated during emergency operation for at least two hours upon AC failure.

The Exit Sign shall be CSA-C860 approved and meets CSA 22.2 No.141. The equipment shall be **Emergi-Lite®** Model: \_\_\_\_\_.

## POWER CONSUMPTION

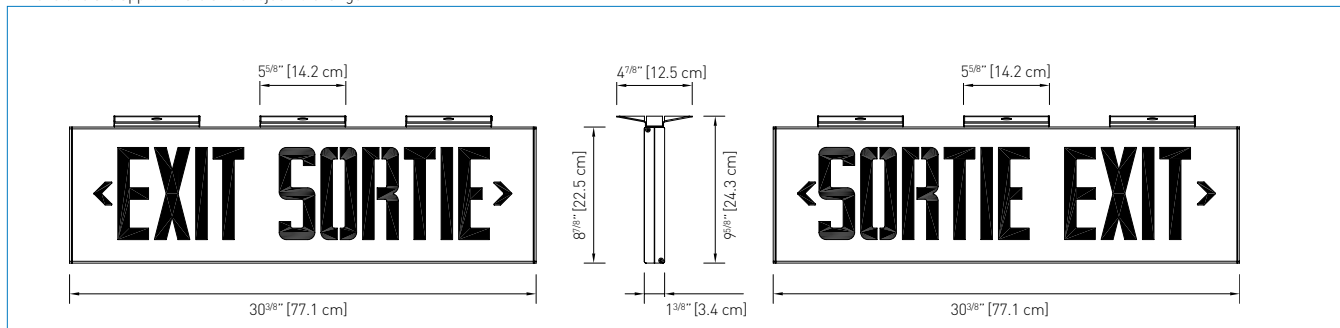
MODEL	AC SPECS	DC SPECS
AC/DC standard, red	120/347VAC Less than 2W	6 to 48VDC Less than 3W
AC/ special DC, red	120/277/347VAC Less than 2W	36 or 48 or 120VDC Less than 6W
120VAC/DC two wires, red	120VAC Less than 6W	120VDC Less than 6W
Self-Powered, red	120 or 347VAC Less than 7W	Nickel-Cadmium battery Min. 2 hours

## WIRE GUARDS

460.0059-E	Wall Mount
460.0092-E	Ceiling Mount

## DIMENSIONS

Dimensions are approximate and subject to change.



## ORDERING INFORMATION

SERIES	FACES	COLOUR	MOUNTING	VOLTAGE	OPTIONS
C8ES30= exit sortie C8SE30= sortie exit	2= single face 3= double face	W= polar white B= black TA= textured aluminum BA= brushed aluminum	-CM= ceiling mount -WM= wall mount	-U= 120/277/347VAC, 6 to 24VDC -U36= 120/277/347VAC-36VDC -U48= 120/277/347VAC-48VDC -U120= 120/277/347VAC-120VDC -I= 120VAC, Self-Powered -3I= 347VAC, Self-Powered -EM120-2W= 120VAC-120VDC-2 wires	-TP= tamper-proof screws 990.0119-E= tamper-proof bit*  *One bit needed per order.

EXAMPLE: C8ES302W-CM-UTP