

Project/Location:

 Contractor:

 Date:

 Prepared by:

C8ESPK & C8SEPK Series

NEMA-3R Certified Bilingual Sign



FEATURES

- Certified NEMA-3R
- Gasketed fiberglass housing designed specifically for industrial applications
- Grey finish
- Sealed, vandal-resistant polycarbonate faceplate
- Wall or ceiling mounting; wall or ceiling brackets available for easy installation
- Normal AC and emergency DC operation – 120 to 347V AC input; 6 to 24 DC input
- Meets or exceeds CSA 22.2 No. 141.

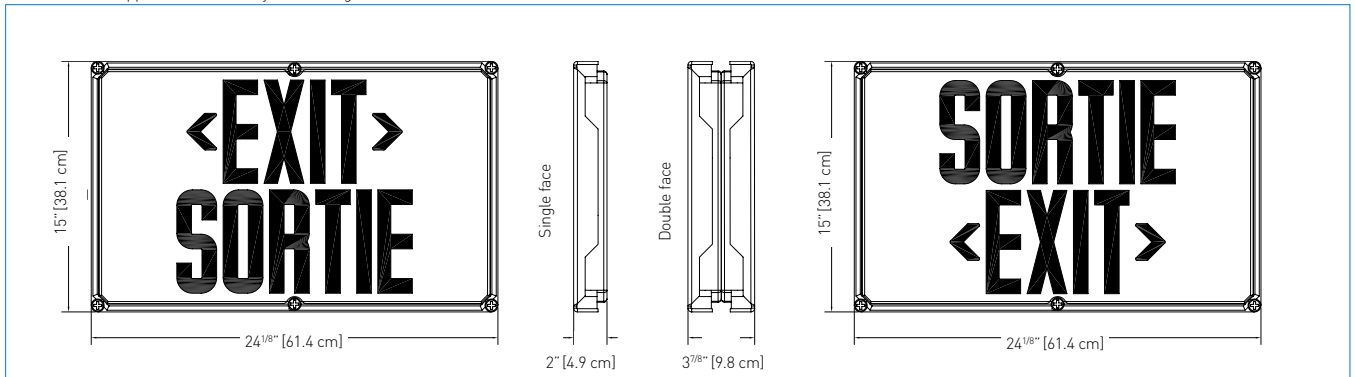


WIRE GUARDS

460.0103-E	Wall Mount
460.0104-E	Ceiling Mount

DIMENSIONS

Dimensions are approximate and subject to change.



TYPICAL SPECIFICATIONS

Supply and install **Emergi-Lite® C8ESPK or C8SEPK Series** Bilingual LED Exit Sign. The equipment shall operate with universal two-wire AC input voltage from 120VAC to 347VAC at less than 3W per face and universal two-wire DC input voltage from 6VDC to 24VDC at less than 3W per face. The housing shall be of gray fiberglass, gasketed, specially designed for industrial environments. The sealed front cover shall be constructed of heavy-duty vandal-resistant transparent polycarbonate of 4mm thickness and shall be bent around the back box for increased rigidity. The front cover will feature an even illuminated legend with the text "EXIT" and "SORTIE" positioned one on top of the other.

The light source shall be the new **ALINGAP** technology red LED. The equipment shall be suitable for wall or ceiling mount and be designed specifically for high abuse areas, wet locations, dust and oil-tight applications. The equipment in a Self-Powered configuration shall stay illuminated during emergency operation for at least 60 minutes upon AC failure.

The equipment shall be NEMA-3R and C-860 approved and meets CSA 22.2 No. 141.

The equipment shall be **Emergi-Lite®** Model: _____.

POWER CONSUMPTION AND UNIT RATING

MODEL	AC SPECS		DC SPECS	
	AC Input	Power	DC Input	Runtime
AC/DC, red	120 to 347VAC	Less than 3W	6 to 24VDC	Less than 3W
Self-Powered, red	120 to 347VAC	Less than 5W	Nickel-Cadmium battery	Minimum 60 minutes

Note: double face models have double the power consumption above.

ORDERING INFORMATION

SERIES	POWER SOURCE AND VOLTAGE
C8ESPK1 = single face EXIT over SORTIE C8SEPK1 = single face SORTIE over EXIT C8ESPK2 = double face EXIT over SORTIE C8SEPK2 = double face SORTIE over EXIT	-U = 120 to 347VAC, 6 to 24VDC -I = Self-Powered, 120 to 347VAC

EXAMPLE: C8ESPK1-U