

Project/Location:

 Contractor:

 Date:

 Prepared by:

Eclipse™ Series

Rapid Installation
 Decorative Thermoplastic



FEATURES

- Impact-resistant thermoplastic construction
- Wall or ceiling mount
- Pre-wired AC quick-connect plug for fast and easy installation
- Dual-voltage input: 120/347 VAC
- Two wedge-base, incandescent lamps of 6V- 5.4W
- DC-remote fused output of 6V-18W
- Fully automatic, solid-state battery charger with brownout protection, low-voltage battery disconnect, manual test switch and LED pilot light
- Maintenance-free, sealed Lead-Calcium battery with life expectancy of five years
- Listed CSA C22.2 No.141



TYPICAL SPECIFICATIONS

Supply and install the **Emergi-Lite® Eclipse™ Series** battery unit. The unit shall come standard with housing and back plate of white thermoplastic and two prismatic-shaped lenses made of clear polycarbonate. The unit shall contain a fully automatic, solid-state charger circuit with test switch button and AC-on LED pilot light. The charger shall include features like brownout detection, low-battery disconnect and instant transfer.

The unit shall be equipped with two incandescent emergency lamps of 6V-5.4W and a maintenance-free Lead-Calcium battery with five-year life expectancy.

The total output for emergency lighting shall be 6V-29W for minimum 30 minutes.

The unit shall come standard with a DC-remote cable with in-line fuse and provide 18W of remote capacity.

The unit shall be listed CSA C22.2 no.141

The unit shall be **Emergi-Lite®** model: _____.

REPLACEMENT LAMPS

ORDERING CODE	LAMP TYPE	VOLTAGE/ WATTAGE
570.0012-E	Tungsten, wedge base	6V-5.4W

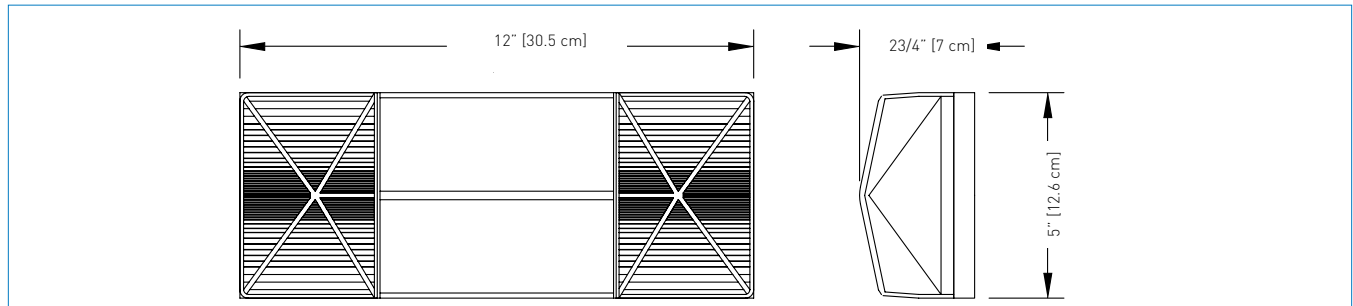
For the complete list, please see the lamp chart on pages 144 to 146

WIRE GUARDS

460.0100-E	Wall Mount or Ceiling Mount
------------	-----------------------------

DIMENSIONS

Dimensions are approximate and subject to change.



POWER CONSUMPTION AND UNIT RATING

MODEL	AC SPECS	WATTAGE CAPACITY				
		30MIN	1H00	1H30	2H00	4H00
ECL-2	120/347VAC 0.06/0.02 A	29W	17W	12W	10W	-

ORDERING INFORMATION

SERIES	UNIT CAPACITY	VOLTAGE	OPTIONS
ECL	-2= 6V-29W	Blank= 120/347VAC	L= line cord (120V only)

EXAMPLE: ECL-2V