



# Recess Mounted EF15 Series

Compact Emergency Lighting

Project/Location: \_\_\_\_\_

Contractor: \_\_\_\_\_

Date: \_\_\_\_\_

Prepared by: \_\_\_\_\_

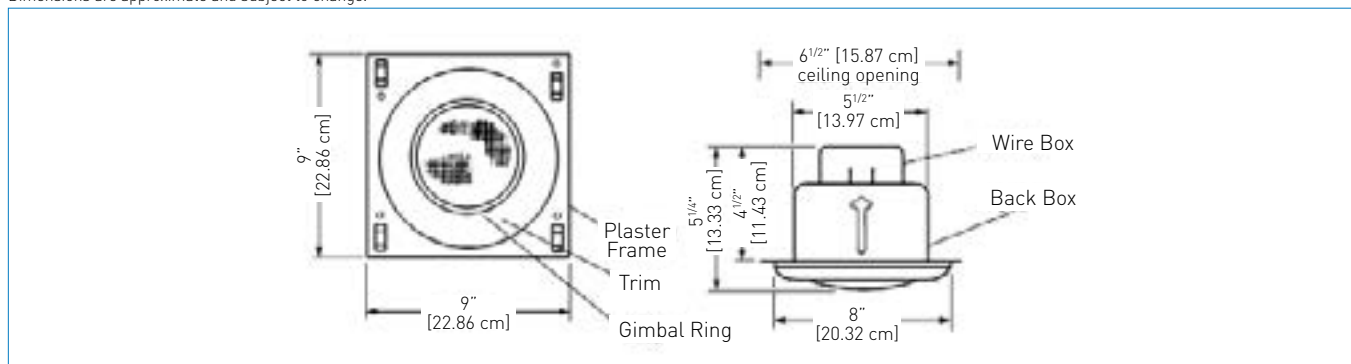
## FEATURES

- Durable themoplastic trim (metal trim as an option)
- PAR 36 Gimbal ring adjustable on two planes to 45°
- Complete unit, no additional housing needed
- Certified CSA C22.2 No.141



## DIMENSIONS

Dimensions are approximate and subject to change.



## WIRE GUARDS

460.0033-E	Wall or ceiling mount
------------	-----------------------

## REPLACEMENT LAMPS

MODEL	LAMP TYPE	VOLTAGE/WATTAGE
570.0026-E	Tungsten	6V-9W
570.0025-E	Tungsten	12V-9W
570.0045-E	Tungsten	24V-9W

For the complete list, please see the lamp chart on pages 156 to 158

## ORDERING INFORMATION

SERIES	LAMP TYPE	HOUSING	COLOUR	VOLTAGE/ WATTAGE/ LAMP TYPE
EF15= PAR 36 recessed	<b>B</b> = tungsten <b>Q</b> = halogen <b>S</b> = sealed beam <b>H</b> = sealed beam halogen	<b>Blank</b> = plastic trim <b>M</b> = metal trim	<b>Blank</b> = factory white <b>B</b> = black	<b>-6V9W</b> = tungsten, 6V - 9W, wedge base <b>-6V__W</b> = tungsten, 6V - 18 or 25W, D.C.B. <b>-12V__W</b> = tungsten, 12V - 9 or 18W, wedge base <b>-12V25W</b> = tungsten, 12V - 25W, D.C.B. <b>-24V__W</b> = tungsten, 24V - 9 or 18W, wedge base <b>-24V25W</b> = tungsten, 24V - 25W, D.C.B. <b>-6V__W</b> = halogen, 6V - 8, 12 or 20W, bi-pin <b>-12V__W</b> = halogen, 12V - 8, 12 or 20W, bi-pin <b>-24V__W</b> = halogen, 24V - 20W, bi-pin <b>-6V__W</b> = tungsten, 6V - 8, 12, 8 or 25W, sealed beam <b>-12V__W</b> = tungsten, 12V - 12, 18 or 25W, sealed beam <b>-6V__W</b> = halogen, 6V - 8, 12 or 20W, sealed beam <b>-12V__W</b> = halogen, 12V - 8, 12 or 37W, sealed beam* <b>-32V__W</b> = tungsten, 32V - 18 or 25W, D.C.B. <b>-120V__W</b> = 120V - 10 or 15W, D.C.B.

\* 37W Metal Trim Only  
NOTE : " \_\_ " insert wattage required.

EXAMPLE: EF15Q-12V12W