



# Survive-All™ EF39 & EF39P Series

NEMA-4X Certified Remote Fixture

Project/Location:
Contractor:
Date:
Prepared by:

## FEATURES

- Fully gasketed with a selection of cast aluminum or polycarbonate back plate
- Clear polycarbonate UV and impact resistant lens
- Choice of single or double lamp models
- Available in 6, 12 and 24V models MR16 or LED
- Easy lamp replacement
- Comes standard with tamper-proof screws and bit
- NSF Certified for food processing plants
- NEMA-4X Certified\*
- CSA Certified to C22.2 No. 141-15
- Suitable for indoor/outdoor installation

\* For EF39P, units are NEMA-4X Certified when installed using a circular NEMA-4X rated junction box (sold separately by Thomas&Betts under P/N CE365D-CAR or CE365DW-CAR and with plugs P/N P7701W-CAR).



## TYPICAL SPECIFICATIONS

Supply and install **Emergi-Lite® EF39P Series** remote emergency lighting fixtures. These remote fixtures will consist of either single or double lamp configurations according to the design. These fixtures shall be fully gasketed with a UV resistant and fire retardant polycarbonate back plate with a clear heavy-duty UV resistant polycarbonate lens. The unit shall be equipped with two emergency heads with tool-less adjustable swivels (lamps of 12W or less). Units shall be NEMA-4X and NSF certified and specifically designed for high abuse areas, wet and cold weather locations, food processing plants, as well in applications requiring a resistance to corrosive agents. The standard unit will come with stainless steel tamper-proof screws and bit.

The remote fixture shall be certified to CSA C22.2 No. 141. The head(s) shall be fully adjustable without tools and should be equipped with MR16 halogen lamp(s) of \_\_\_\_\_ V \_\_\_\_\_W.

The remote unit shall be the **Emergi-Lite®** model: \_\_\_\_\_ .

## REPLACEMENT LAMPS: MR16 EF39P

ORDERING CODE	LAMP TYPE	VOLTAGE
580.0074-E	MR16 flood	6V-6W
580.0079-E	MR16 flood	6V-10W
580.0080-E	MR16 flood	12V-12W
580.0070-E	MR16 flood	24V-12W
580.0097-E	MR16 LED	6V-4W
580.0093-E	MR16 LED	12V-4W
580.0104-E	MR16 LED	12V-5W
580.0106-E	MR16 LED	12V-6W
580.0098-E	MR16 LED	24V-4W

For the complete list, please see the lamp chart on pages 156 to 158

## EF39

ORDERING CODE	LAMP TYPE	VOLTAGE
580.0068-E	MR16 IR flood	12V-20W
580.0077-E	MR16 flood	24V-20W
580.0100-E	MR16 LED	24V-6W
580.0113-E	MR16 LED	120V-4W

Project/Location: \_\_\_\_\_

Contractor: \_\_\_\_\_

Date: \_\_\_\_\_

Prepared by: \_\_\_\_\_

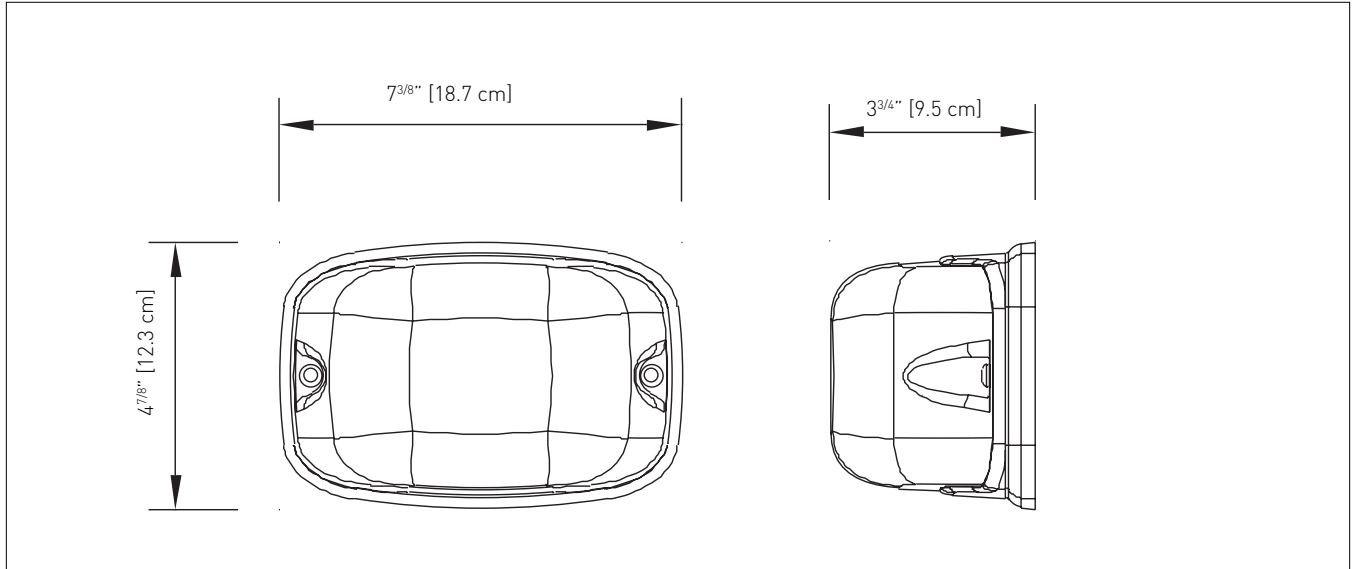
# Survive-All™ EF39 & EF39P Series

NEMA-4X Certified Remote Fixture



## DIMENSIONS

Dimensions are approximate and subject to change.



## ORDERING INFORMATION: EF39P

SERIES	NUMBER OF LAMPS	LAMP TYPE	COLOUR	LAMP TYPE/VOLTAGE/WATTAGE	OPTIONS
EF39P= polycarbonate NEMA-4X back plate	Blank= one lamp D= two lamps	M= MR16	Blank= factory white -B= black -G= grey	-LA= MR16 LED, 6V-4W -LG= MR16 LED, 12V-4W -LI= MR16 LED, 12V-5W -LJ= MR16 LED, 12V-6W -LL= MR16 LED, 24V-4W -6V6W= MR16 halogen, 6V-6W -6V10W= MR16 halogen, 6V-10W -12V12W= MR16 halogen, 12V-12W -24V12W= MR16 halogen, 24V-12W	-SM= surface mount*  * surface plastic junction box included

EXAMPLE: EF39PDM-B-6V6W

## ORDERING INFORMATION: EF39

SERIES	NUMBER OF LAMPS	LAMP TYPE	COLOUR	LAMP TYPE/VOLTAGE/WATTAGE
EF39= die-cast NEMA-4X back plate	Blank= one lamp D= two lamps	M= MR16	Blank= factory white -B= Black -G= grey	-12V20W= MR16-IR, 12V-20W, high output -24V20W= MR16 halogen, 24V-20W -LM= MR16 LED, 24V-6W -LW= MR16 LED, 120V-4W

EXAMPLE: EF39DM-12V20W