

Project/Location: _____

Contractor: _____

Date: _____

Prepared by: _____

EF40 & EF40P Series

Remote Fixture



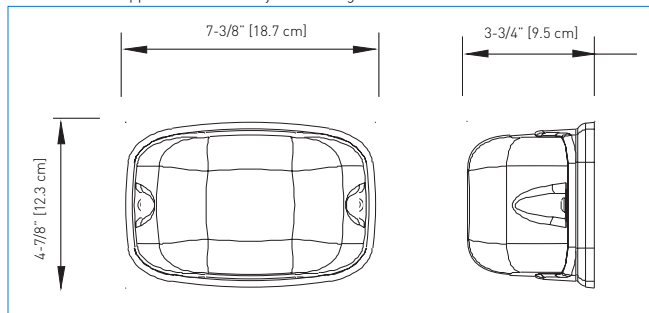
FEATURES

- Quality illumination requires fewer fixtures
- Clear polycarbonate UV and impact resistant lens with optional tamper-proof screws to prevent tampering.
- Easy lamp replacement
- Modern design will blend into surroundings
- Selection of Die-Cast or polycarbonate back plate
- For indoor use only
- CSA certified to C22.2 No. 141-15



DIMENSIONS

Dimensions are approximate and subject to change.



TYPICAL SPECIFICATIONS

Supply and install **Emergi-Lite® EF40P Series** remote emergency lighting. These remote fixtures will consist of either single or double lamp configurations as specified and include a UV resistant fire retardant polycarbonate back plate and a clear heavy-duty UV resistant polycarbonate light cover.

The remote fixture shall be certified to CSA C22.2 No. 141.

The head(s) shall be fully adjustable and be equipped with high efficiency MR16 halogen or LED lamp(s) of ____ V, ____ W.

The remote unit shall be **Emergi-Lite®** model: _____.

WIRE GUARDS

460.0029-E	Wall Mount
------------	------------

REPLACEMENT LAMPS: MR16 EF40P

ORDERING CODE	LAMP TYPE	VOLTAGE
580.0074-580	MR16 flood	6V-6W
580.0079-E	MR16 flood	6V-10W
580.0080-E	MR16 flood	12V-12W
580.0070-E	MR16 flood	24V-12W
580.0097-E	MR16 LED	6V-4W
580.0093-E	MR16 LED	12V-4W
580.0104-E	MR16 LED	12V-5W
580.0106-E	MR16 LED	12V-6W
580.0098-E	MR16 LED	24V-4W

For the complete list, please see the lamp chart on pages 156 to 158

REPLACEMENT LAMPS: MR16 EF40

ORDERING CODE	LAMP TYPE	VOLTAGE
580.0068-E	MR16 IR flood	12V-20W
580.0077-E	MR16 flood	24V-20W
580.0100-E	MR16 LED	24V-6W
580.0113-E	MR16 LED	120V-4W

ORDERING INFORMATION: EF40P

SERIES	NUMBER OF LAMPS	LAMP TYPE	COLOUR	LAMP TYPE/VOLTAGE/WATTAGE	OPTIONS
EF40P= polycarbonate	Blank = one lamp D = two lamps	M = MR16	Blank = factory white B = black G = grey Other colours available.	LA = MR16 LED, 6V-4W LG = MR16 LED, 12V-4W LI = MR16 LED, 12V-5W LJ = MR16 LED, 12V-6W LL = MR16 LED, 24V-4W 6V6W = MR16 halogen, 6V-6W 6V10W = MR16 halogen, 6V-10W 12V12W = MR16 halogen, 12V-12W 24V12W = MR16 halogen, 24V-12W	Blank = no option T = tamper-proof screws* * 690.0454-E = tamper-proof bit (sold separately)

ORDERING INFORMATION: EF40

SERIES	NUMBER OF LAMPS	LAMP TYPE	COLOUR	LAMP TYPE/VOLTAGE/WATTAGE	OPTIONS
EF40 = die-cast	Blank = one lamp D = two lamps	M = MR16	Blank = factory white B = black G = grey Other colours available.	12V20W = MR16-IR, 12V-20W, high output 24V20W = MR16 halogen, 24V-20W LM = MR16 LED, 24V-6W LW = MR16 LED, 120V-4W	Blank = no option T = tamper-proof screws* * 690.0454-E = tamper-proof bit (sold separately)

EXAMPLE: EF40PDM-B-6V6W