

Project/Location: _____

Contractor: _____

Date: _____

Prepared by: _____

EFR Distinction™ Series

Recessed Designer Series



FEATURES

- Contemporary, enduring designs
- 4W, 5W, 6W, 10W, 12W, 20W, 35W and 50W lamps
- Wide beam MR16 (flood) or LED light source
- Will blend in with regular decorative recessed fixtures
- Choice of housing for new construction or insulated ceiling
- **EFR8NB** and **EFR8R** are made of powder coated or electro-plate steel
- **EFR9** and **EFR2** are made of Die-Cast aluminum



EFR8NB



EFR9



EFR8R



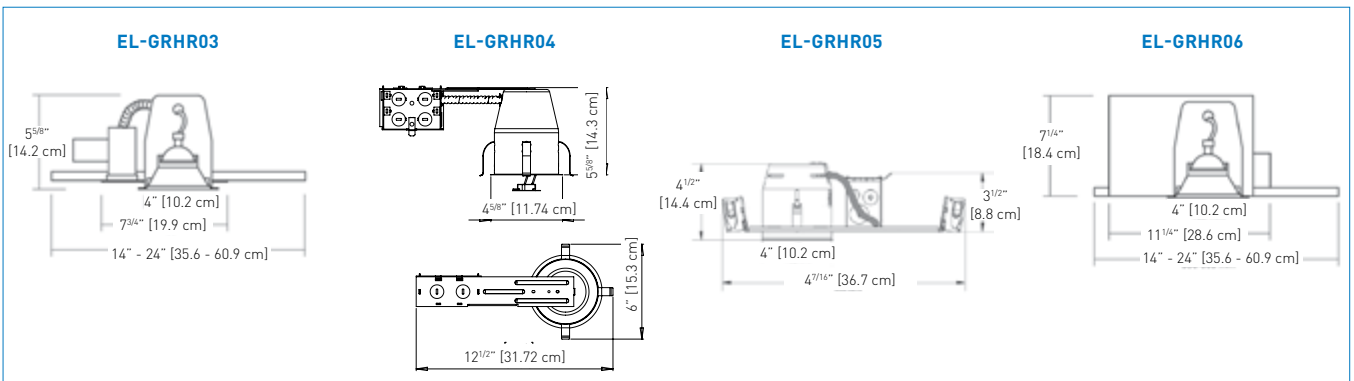
EFR2

BACK BOXES

MODEL	CEILING TYPE	CONSTRUCTION
EL-GRHR03	Non-Insulated ceiling 6-24V	New construction
EL-GRHR04	Non-Insulated ceiling 6-24V	Renovation
EL-GRHR05	Non-Insulated ceiling 120V GU10	New construction
EL-GRHR06	Insulated ceiling 120V input output GU	New construction

DIMENSIONS

Dimensions are approximate and subject to change.



ORDERING INFORMATION

SERIES	HEAD STYLE	COLOUR	VOLTAGE/WATTAGE	
EFR = decorative recessed remote	8NB = flat 8R = concave 9 = concave 2 = pop-out*	BK = black (8R, 9 & 2 series only) BN = brushed nickel (8R, 8NB & 2 series only) CH = chrome (2 series only) PB = polished brass (2 series only) WH = white	- LAC = MR16 LED, 6V-4W - LGC = MR16 LED, 12V-4W - LIC = MR16 LED, 12V-5W* - LJC = MR16 LED, 12V-6W* - LLC = MR16 LED, 24V-4W - LMC = MR16 LED, 24V-6W* - LVC = MR16 LED, 120V-4W* - 6V6W = MR16 halogen, 6V-6W - 6V10W = MR16 halogen, 6V-10W - 12V12W = MR16 halogen, 12V-12W	- 12V20W = MR16 halogen, 12V-20W - 12V35W = MR16 halogen, 12V-35W - 12V50W = MR16 halogen, 12V-50W - 24V12W = MR16 halogen, 24V-12W - 24V20W = MR16 halogen, 24V-20W - 24V35W = MR16 halogen, 24V-35W - 24V50W = MR16 halogen, 24V-50W - 120V20W = MR16, GU10, 120V-20W** - 120V35W = MR16, GU10, 120V-35W** - 120V50W = MR16, GU10, 120V-50W**
	*LED'S and GU10's not available		* Not available with 8NB head ** Available only with EL-GRHR05 housing and with 8R & 9 heads	

EXAMPLE: EFR8NBN-12V20W

TYPICAL SPECIFICATIONS

The contractor will supply and install **Emergi-Lite® Distinction™ Collection** recessed heads and housing. Recessed heads will be constructed of durable powder coated metal and use MR16 halogen lamps. The light source will be _____ V, _____ W MR16 halogen wide beam (flood) or otherwise specified. The remote unit shall be **Emergi-Lite®** model: _____, and the housing shall be **Emergi-Lite®** model: _____.

REPLACEMENT LAMPS

MODEL	LAMP TYPE	VOLTAGE/WATTAGE
580.0079-E	MR16	6V-10W
580.0080-E	MR16	12V-12W
580.0077-E	MR16	24V-20W
580.0100-E	MR16 LED	24V-6W
580.0104-E	MR16 LED	12V-5W
580.0106-E	MR16 LED	12V-6W

For the complete list, please see the lamp chart on pages 156 to 158

MR16 LED COMPATIBILITY CHART

HEAD STYLE	6V-4W	12V-4W	24V-4W	12V-5W	12V-6W	120V-4W
EFR18NB	X	X	X	-	-	-
EFR18R	X	X	X	X	X	X
EFR9	X	X	X	X	X	X
EFR2	-	-	-	-	-	-