

Type: \_\_\_\_\_  
 Project/Location: \_\_\_\_\_  
 Contractor: \_\_\_\_\_  
 Prepared By: \_\_\_\_\_  
 Date: \_\_\_\_\_  
 Model No.: \_\_\_\_\_

# LCSR Series

## Dedicated Indoor LED Remote

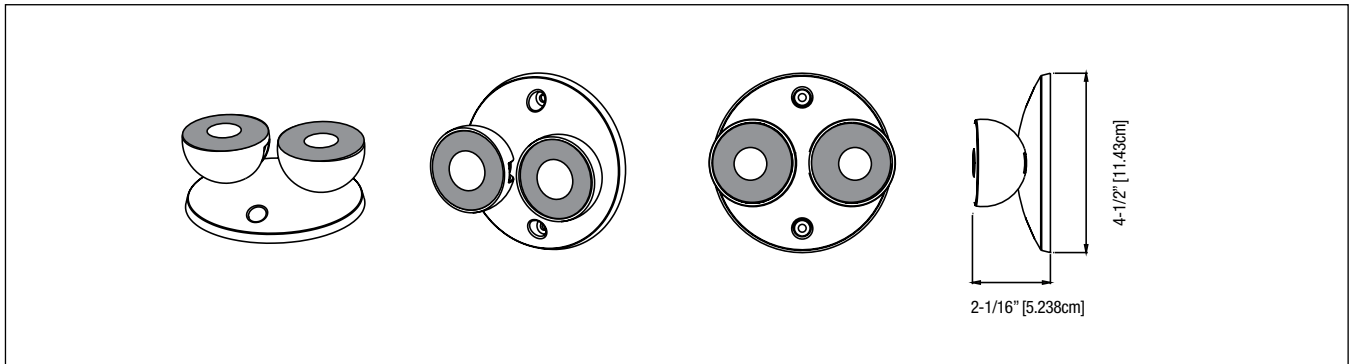


### FEATURES

- Fully adjustable LED glare-free lens
- 3.6V 1W long life LED light source, 6000K
- Injection-molded off-white thermoplastic ABS housing
- Ceiling or wall mount installation
- To mount to any standard 4" junction box
- To be used only with LCSB battery unit
- Comes standard with one (1) year warranty

### DIMENSIONS

Dimensions are approximate and subject to change.



\*NOTE: The LCS Family cannot be combined with other Lumacell Products on the same emergency A.C. circuit.



### ORDERING INFORMATION

SERIES	NUMBER OF HEADS	LAMP TYPE/WATTAGE	COLOR
LCSR	D= 2	Blank= 1W LED	Blank= White

EXAMPLE: LCSR D