

Type: _____
 Project/Location: _____
 Contractor: _____
 Prepared By: _____
 Date: _____
 Model No.: _____

LEREOB12L & LSROB12L Series

NEMA-3R Certified Bilingual Sign



FEATURES

- Certified NEMA-3R
 - Long-life, **ALINGAP** technology energy-efficient LED light source is warranted for 10 years
 - Gasketed fiberglass housing designed specifically for industrial applications
 - Grey finish
 - Sealed, vandal-resistant polycarbonate faceplate
 - Wall or ceiling mounting; wall or ceiling brackets available for easy installation
 - Normal AC and emergency DC operation 120 to 347VAC input; 6V to 24 DC input
 - Meets or exceeds CSA 22.2 No.141-15
- See warranty details at: www.tnb.ca/en/brands/lumacell

TYPICAL SPECIFICATIONS

Supply and install **Lumacell® LEREOB12L** or **LSRSOB12L** Bilingual LED Exit Sign. The equipment shall operate with universal two-wire AC input voltage from 120VAC to 347VAC a less than 3W per face and universal two-wire DC input voltage from 6VDC to 24VDC at less than 3W per face. The housing shall be of grey fiberglass, gasketed, specially designed for industrial environment. The sealed front cover shall be constructed of heavyduty vandal-resistant transparent polycarbonate of 4mm thickness and shall be bent around the back box for increased rigidity. The front cover will feature an even illuminated legend with the text "EXIT" and "SORTIE" positioned one on top of the other.

The light source shall be the new ALINGAP technology red LED. The equipment shall be suitable for wall or ceiling mount and be designed specifically for high abuse areas, wet locations, dust and oil-tight applications. The equipment in a Self-Powered configuration shall stay illuminated during emergency operation for at least 60 minutes upon AC failure.

The equipment shall be NEMA-3R and CSA 22.2 No.141-15 certified.

The equipment shall be **Lumacell®** Model: _____ .

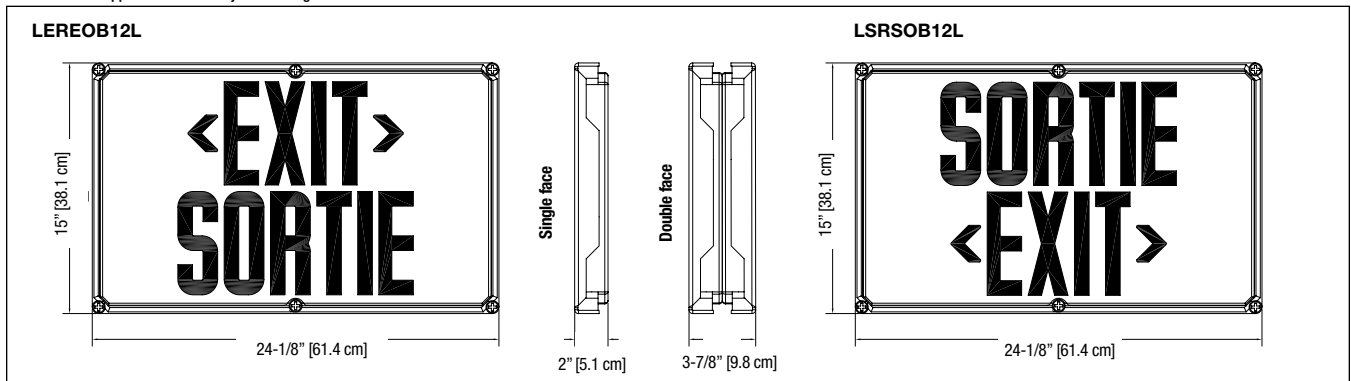


WIRE GUARDS

460.0103-L	Wall Mount
460.0104-L	Ceiling Mount

DIMENSIONS

Dimensions are approximate and subject to change.



POWER CONSUMPTION AND UNIT RATING

MODEL	AC SPECS		DC SPECS	
AC/DC	120 to 347VAC	Less than 3W	6 to 24VDC	Less than 3W
Self-Powered	120 to 347VAC	Less than 6W	Nickel-Cadmium battery	Minimum 60 minutes

Note: double face models have double the power consumption above.

ORDERING INFORMATION

SERIES	LETTERING	VOLTAGE
LEREO1W4T = single face NEMA-3R, exit over sortie LEREO2W4T = double face NEMA-3R, sortie over exit LSRSO1W4T = single face NEMA-3R, exit over sortie LSRSO2W4T = double face NEMA-3R, sortie over exit	B12L = bilingual	UNIV = 120 - 347VAC, 6/12/24VDC SP = Self-Powered, 120 to 347VAC

EXAMPLE: LEREO1W4TB12LUNIV