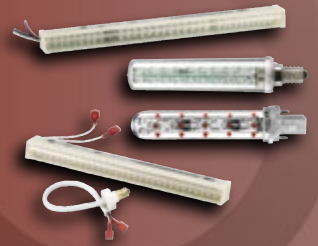


Type: _____
 Project/Location: _____
 Contractor: _____
 Prepared By: _____
 Date: _____
 Model No.: _____

LED Retrofit Kits

For EXIT signage



New Design:
0.65W; 60% off power consumption.

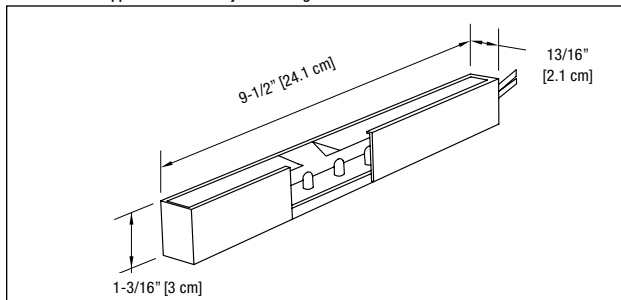


MINI-WEDGE SERIES (LMW MODEL)

- Easiest to install in its class
- Compact size makes it ideal for virtually all exit signs
- Can be retrofitted directly on fluorescent ballast
- Long-life, energy-efficient red ALINGAP LED technology

DIMENSIONS

Dimensions are approximate and subject to change.



POWER CONSUMPTION

MODEL	AC SPECS	DC SPECS		
LMW	120VAC; 86VAC step down from 347VAC	0.65W	N/A	N/A

ORDERING INFORMATION

SERIES	VOLTAGE	OPTIONS*
LMW= for standard applications	120= 120VAC 120HW= 120VAC, hardwire 277HW= 277VAC, hardwire 347HW= 347VAC, hardwire 240HW= 240VAC, hardwire	C= candelabra I= intermediate M= medium B= bayonet F= G23 compact fluorescent CIMB= complete set of bases (exclude "F" base)

* Options not available with hardwire.

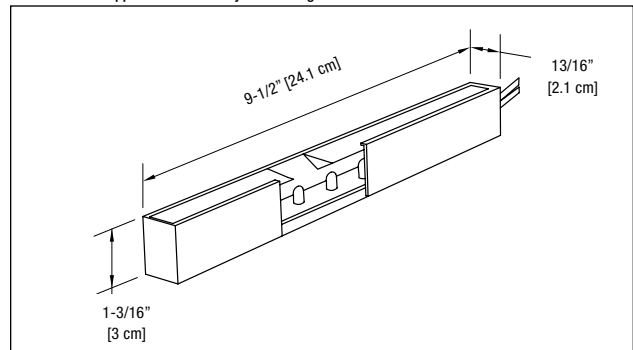
EXAMPLE: LMW120C

MINI-WEDGE SERIES (LMWxD MODEL)

- Easiest to install in its class
- Compact size makes it ideal for virtually all exit signs
- Can be retrofitted directly on fluorescent ballast
- Long-life, energy-efficient ALINGAP LED technology

DIMENSIONS

Dimensions are approximate and subject to change.



POWER CONSUMPTION

MODEL	AC SPECS	DC SPECS		
LMWxD	120VAC; 120VAC with in-line diodes	2.8W	N/A	N/A

ORDERING INFORMATION

SERIES	VOLTAGE	OPTIONS
LMWxD = with or without in-line diodes	120= 120VAC	C= candelabra I= intermediate M= medium B= bayonet CIMB= complete set of bases (exclude "F" base)

EXAMPLE: LMWxD120-C