



# LPEX50 Series

Extruded Aluminum Exit Sign

Type: \_\_\_\_\_  
 Project/Location: \_\_\_\_\_  
 Contractor: \_\_\_\_\_  
 Prepared By: \_\_\_\_\_  
 Date: \_\_\_\_\_  
 Model No.: \_\_\_\_\_

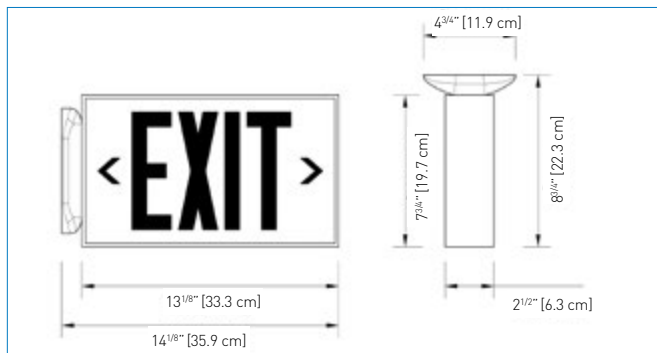
## FEATURES

- Durable, extruded, one-piece aluminum housing
- Long-life, energy-efficient **ALINGAP** technology red LED light source completely enclosed in acrylic module
- Single illumination module lights both single and double face exit signs
- Highly energy efficient – consumes less than 2.5W in AC or DC mode
- Normal AC and emergency DC operation – 120/277/347V AC input; 6 to 24V DC input
- Comes with the **Emergi-Lite®** EZ2 canopy for quick and easy installation
- Also available with power pack; see LPEX50-P catalogue sheet
- CSA certified, meets or exceeds CSA 22.2 No. 141-15 requirements



## DIMENSIONS

Dimensions are approximate and subject to change.



## TYPICAL SPECIFICATIONS

Supply and install the **Emergi-Lite® LPEX50 Series** LED Exit Signs. The equipment shall operate with universal AC input voltage of 120VAC, 277VAC or 347VAC at less than 1.5W and universal two-wire DC input voltage from 6VDC to 24VDC at less than 1.5W for single or double face signs.

The housing shall be constructed of rugged extruded aluminum and have a maximum depth of 2-1/2". The faceplate(s) shall be constructed of extruded aluminum and come standard with knockout chevrons.

The light source shall be light emitting diodes (LED). The LED lamps shall provide illumination in normal and emergency operation and shall be mounted inside the exit housing, not on the face. The red LED technology shall be **ALINGAP**. An LED-sensitive diffuser shall be mounted behind the legend to provide the 6" high by 3/4" stroke letters with even illumination. The Exit Sign in a Self-Powered configuration shall stay illuminated during emergency operation for at least 90 minutes upon AC failure.

The Exit Sign shall be CSA-C860 approved and meets CSA 22.2 No.141-15. The equipment shall be **Emergi-Lite®** Model: \_\_\_\_\_ .

## WIRE GUARDS

460.0079-E	Wall Mount
460.0027-E	End Mount
460.0028-E	Ceiling Mount

## POWER CONSUMPTION

MODEL	AC SPECS		DC SPECS	
AC/ standard DC, red	120/277/347VAC	Less than 1.5W	6 to 24VDC	Less than 1.5W
AC/ special DC, red	120/277/347VAC	Less than 1.5W	36 or 48 or 120VDC	Less than 2.5W
Self-Powered, red	120 to 347VAC	Less than 3W	Nickel-Cadmium battery	Minimum 90 minutes
AC/ standard DC, green	120 to 347VAC	Less than 1.5W	6 to 24VDC	Less than 1.5W
Self-Powered, green	120 to 347VAC	Less than 3W	Nickel-Cadmium battery	Minimum 90 minutes

## ORDERING INFORMATION

SERIES	FACES	COLOUR	VOLTAGE	OPTIONS
LPEX5= LED EXIT	2= single face, universal mount 3= double face, universal mount	B= black BA= brushed aluminum TA= textured aluminum W= factory white PW= polar white	-U= 120/277/347VAC, 6 to 24VDC -EM120-2W= 120VAC, 120VDC 2 wires -U36= 120/277/347VAC - 36VDC -U48= 120/277/347VAC - 48VDC -U120= 120/277/347VAC - 120VDC -I= Self-Powered, 120 to 347VAC	-G= green legend -TP= tamper-proof screws* -VRSTP= vandal resistant shield with tamper-proof screws*  *990.0119-E= tamper-proof bit (sold separately)

EXAMPLE: LPEX52W-U-VRTP