

Project/Location:  
 \_\_\_\_\_  
 Contractor:  
 \_\_\_\_\_  
 Date:  
 \_\_\_\_\_  
 Prepared by:  
 \_\_\_\_\_

# LPEX54 Series

## Recessed Exit Sign

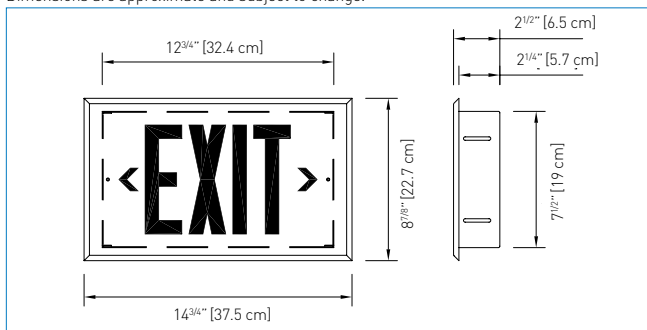


### FEATURES

- Extruded aluminum faceplate with overlapping trim is standard
- Universal, field-selectable chevrons (knockout)
- Long-life, energy-efficient **ALINGAP** LED light source
- Indirect refractive technology provides bright, even illumination
- Normal AC and emergency DC operation – 120 to 347V universal AC input; 6 to 24V two-wire DC input
- Energy efficient – consumes less than 3.5W in AC or DC mode
- Nickel-Cadmium battery provides at least 90 minutes of emergency operation in DC mode
- CSA certified, meets or exceeds CSA 22.2 No. 141 requirements

### DIMENSIONS

Dimensions are approximate and subject to change.



### TYPICAL SPECIFICATIONS

Supply and install the **Emergi-Lite® LPEX54 Series** Exit Sign. The **LPEX54** exit shall be recessed mount. The equipment shall operate with universal AC input voltage of 120, 277 or 347VAC at less than 1.5W and universal two wire DC input voltage from 6VDC to 24VDC at less than 1.5W. The face shall be constructed of extruded aluminum and have an overlapping trim allowing for installation in any location. The faceplate shall come standard with knockout chevrons. The recessed back box shall be of rugged steel construction. The light source shall be light emitting diodes (LED). Red LED technology shall be **ALINGAP**. The LED lamps shall provide illumination in normal and emergency operation and shall be mounted inside the exit housing, not on the face. An LED sensitive diffuser shall be mounted behind the legend to provide the 6" high by 3/4" stroke letters with even illumination.

The Exit Sign in a Self-Powered configuration shall be equipped with a Nickel-Cadmium battery and shall stay illuminated during emergency operation for at least 90 minutes upon AC failure.

The Exit Sign shall be CSA-C860 approved and meets CSA 22.2 No.141 The equipment shall be **Emergi-Lite®** Model: \_\_\_\_\_ .

### WIRE GUARDS

460.0091-E	Wall Mount
------------	------------

### POWER CONSUMPTION

MODEL	AC SPECS		DC SPECS	
AC/ standard DC, red	120/277/347VAC	Less than 1.5W	6 to 24VDC	Less than 1.5W
AC/ special DC, red	120/277/347VAC	Less than 3W	36 or 48 or 120VDC	Less than 2.5W
Self-Powered, red	120 to 347VAC	Less than 3W	Nickel-Cadmium battery	Minimum 90 minutes
AC/ standard DC, green	120 to 347VAC	Less than 1.5W	6 to 24VDC	Less than 1.5W
Self-Powered, green	120 to 347VAC	Less than 3.5W	Nickel-Cadmium battery	Minimum 90 minutes

### ORDERING INFORMATION

SERIES	COLOUR	VOLTAGE	OPTIONS
LPEX54= LED aluminum recessed EXIT	<b>W</b> = factory white <b>B</b> = black <b>BA</b> = brushed aluminum <b>TA</b> = textured aluminum	<b>-U</b> = 120/277/347VAC, 6 to 24VDC <b>-EM120-2W</b> = 120VAC, 120VDC 2 wires <b>-U36</b> = 120/277/347VAC - 36VDC <b>-U48</b> = 120/277/347VAC - 48VDC <b>-U120</b> = 120/277/347VAC - 120VDC <b>-I</b> = 120 to 347VAC Self-Powered	<b>-TP</b> = tamper-proof screws* <b>-VRTP</b> = vandal resistant shield and tamper-proof screws* <b>-G</b> = green legend <b>990.0119-E</b> = tamper-proof bit**

\*Indicate single or double face.  
 \*\*One bit needed per order.

EXAMPLE: LPEX54B-U-VRTP