



new features

LPEXHZ SERIES

Exit Sign, Hazardous Locations: Class I Div 2, Class II Div 1&2 and Class III

Type: _____
 Project/Location: _____
 Contractor: _____
 Prepared By: _____
 Date: _____
 Model No.: _____

FEATURES

- Includes the addition of Class II Div 1&2 Groups E, F and G as well as Class III ratings
- Certified Class I Zone 2, Groups IIA, IIB and IIC
- Certified Class I Div 2, Groups A, B,C and D as per CSA C22.2 No.137-M1981
- Temperature Code: T6 (maximum 85°C as per Canadian Electrical Code, Part I and CSA C22.2 No.137-M1981)
- CSA certified, meets or exceeds CSA 22.2 No. 141 requirements
- Input voltages: 120 to 347VAC universal AC input; 6 to 48VDC universal DC input
- High impact thermoplastic frame, with built-in gasket to prevent water infiltration
- Suited for areas with the risk of presence of flammable gases, vapors or liquids able to create an explosive atmosphere
- Sealed, polycarbonate faceplate of heavy-duty, vandal-resistant
- Tamper-resistant, hermetically sealed magnetic test switch
- Auto-diagnostic circuitry is standard on Self-powered models
- Batteries recharge as per CSA requirements and provide 90 minutes of emergency operation
- Long-life, energy-efficient ALINGAP red LED light source
- Energy efficient – consumes less than 3W in AC or DC mode
- Comes standard with industrial-grade, Die-Cast aluminum electrical box
- Suitable for cold weather: -20°C (Self-powered model, "CW" option) and -40°C (AC only and AC-DC models)

TYPICAL SPECIFICATIONS

Supply and install **Emergi-Lite® LPEXHZ Series** LED Exit Signs. The equipment shall operate with universal two-wire AC input voltage from 120VAC to 347VAC at less than 3W and universal two-wire DC input voltage from 6VDC to 48VDC at less than 2W for single and double face signs. Designed specifically for hostile environments, the equipment frame shall be of industrial grade high impact thermoplastic with a gasket around lenses and canopy. The faceplate(s) shall be constructed of heavy-duty vandal-resistant polycarbonate and feature an even illuminated legend. The light source shall be light emitting diodes (LED). Red LED technology shall be ALINGAP. An LED-sensitive diffuser shall be mounted behind the legend to provide the 6" high by 3/4" stroke letters with even illumination. The equipment shall be certified for Hazardous Locations: Class I Division 2 Groups A, B, C and D, Class II Division 1&2 Groups E, F and G as well as Class III, with the temperature code T6 (maximum 85°C).

The equipment shall be designed specifically for high abuse areas, wet location, and cold weather -20°C applications. The Self-powered model shall stay illuminated during emergency operation for at least 90 minutes upon AC failure and shall include a magnetic test switch and self-testing/self-diagnostic functions. The equipment shall automatically self test for 5 minutes every 30 days, 30 minutes every 60 days and 90 minutes annually. A "Service required" lamp shall be located near the test switch and flash when a fault is detected. A two-LED diagnostic display shall be located inside the equipment and shall identify the eventual source of failure (battery, charger circuitry, or LED lamps). The Exit Sign shall be CSA-C860 approved and meets CSA 22.2 No. 141.

Equipment the **Emergi-Lite®** Model: _____



WIRE GUARDS

460.0080-EL	wall mount
-------------	------------

Type: _____
 Project/Location: _____
 Contractor: _____
 Prepared By: _____
 Date: _____
 Model No.: _____

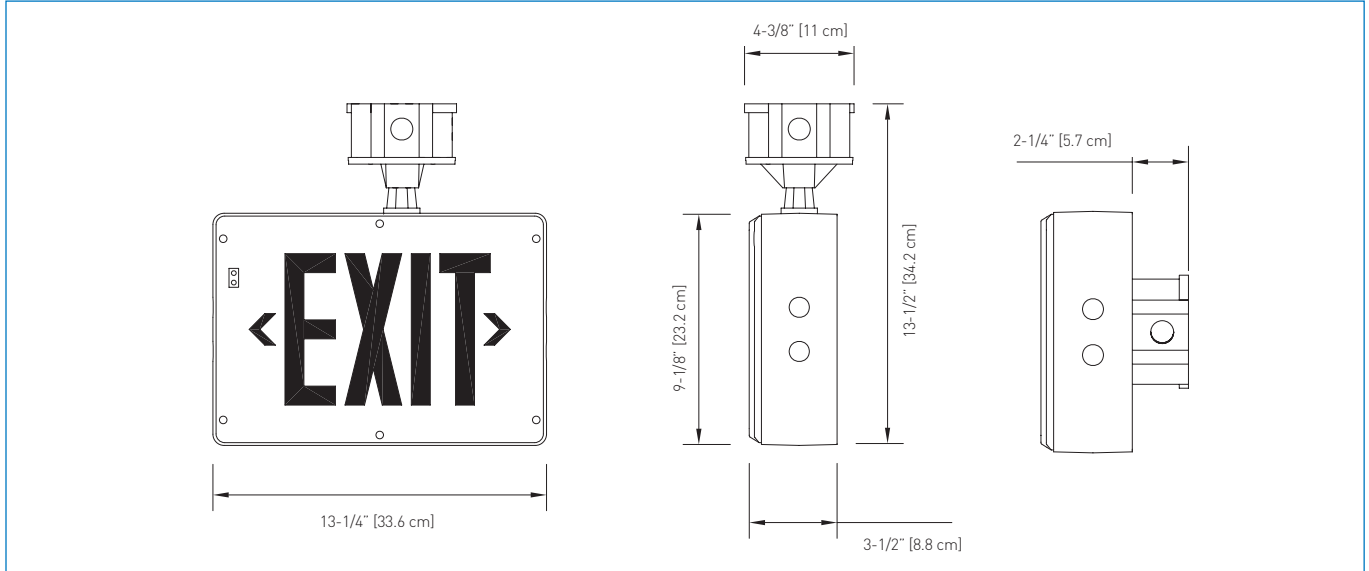
LPEXHZ SERIES

Exit Sign, Hazardous Locations: Class I Div 2, Class II Div 1&2 and Class III



DIMENSIONS

Dimensions are approximate and subject to change.



POWER CONSUMPTION AND UNIT RATING

MODEL	AC SPECS		DC SPECS	
AC/DC red	120/347VAC	less than 3W	6 to 48VDC	less than 2W
AC/DC green			6 to 48VDC	less than 2W
self-powered red			nickel-cadmium battery	min. 90 minutes
self-powered green			nickel-cadmium battery	min. 90 minutes
120VAC/VDC 2 wires, red	120VAC		120VDC	less than 3W

ORDERING INFORMATION

SERIES	FACES/MOUNTING	HOUSING COLOUR	VOLTAGE	OPTIONS
LPEXHZ	2= single face, ceiling or wall mount 3= double face, wall mount only	GG= grey/grey	U= universal 120-347VAC, 6-48VDC ID=120-347VAC, Self-Powered c/w non-audible diagnostics EM120-2W= 120VAC, 120VDC, 2 wires (AC only)	Blank= red legend -G= green legend -CW= cold weather -20°C Self-Powered only NEX= NEXUS® system interface* NEXRF= wireless NEXUS® system interface*

*Not all options available with NEXUS® System. Please consult your sales representative

EXAMPLE: LPEXHZ2GGID