



# MQMP-NC Series

## Remote Fixture

Type: \_\_\_\_\_  
 Project/Location: \_\_\_\_\_  
 Contractor: \_\_\_\_\_  
 Prepared By: \_\_\_\_\_  
 Date: \_\_\_\_\_  
 Model No.: \_\_\_\_\_

### FEATURES

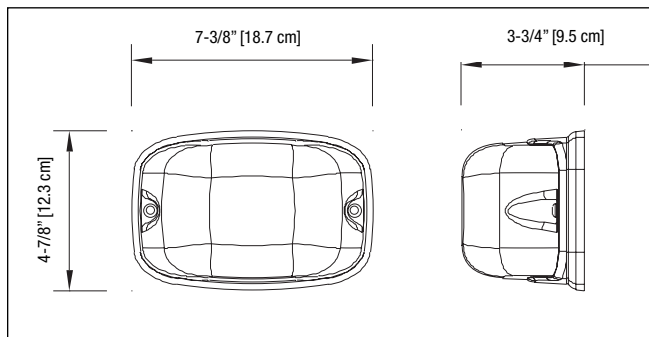
- Quality illumination requires fewer fixtures
- Clear polycarbonate UV and impact resistant lens with optional tamper-proof screws to prevent tampering
- Easy lamp replacement
- Modern design will blend into surroundings
- Selection of Die-Cast or polycarbonate back plate
- For indoor use only
- CSA certified to C22.2 No. 141-15

See warranty details at: [www.tnb.ca/en/brands/lumacell](http://www.tnb.ca/en/brands/lumacell)



### DIMENSIONS

Dimensions are approximate and subject to change.



### WIRE GUARDS

460.0029-L	Wall Mount
------------	------------

### TYPICAL SPECIFICATIONS

Supply and install Lumacell® MQMP-NC Series remote emergency lighting. These remote fixtures will consist of either single or double lamp configurations as specified and include a UV resistant fire retardant Die-Cast polycarbonate back plate and a clear heavy-duty UV resistant polycarbonate light cover.

The remote fixture shall be certified to CSA C22.2 No. 141. The head(s) shall be fully adjustable and be equipped with high efficiency MR16 halogen or LED lamp(s) of \_\_\_\_\_ V, \_\_\_\_\_ W.

The remote fixtures shall be certified to CSA 22.2 No.141-15

The remote unit shall be the Lumacell® model: \_\_\_\_\_.

### REPLACEMENT LAMPS: MQMP

MODEL	LAMP TYPE	VOLTAGE/WATTAGE
580.0074-L	MR16 Flood	6V-6W
580.0079-L	MR16 Flood	6V-10W
580.0080-L	MR16 Flood	12V-12W
580.0070-L	MR16 Flood	24V-12W
580.0097-L	MR16 LED	6V-4W
580.0093-L	MR16 LED	12V-4W
580.0104-L	MR16 LED	12V-5W
580.0106-L	MR16 LED	12V-6W
580.0098-L	MR16 LED	24V-4W

See the complete list p. 152-154.

### REPLACEMENT LAMPS: MQM

MODEL	LAMP TYPE	VOLTAGE/WATTAGE
580.0068-L	MR16 IR flood	12V-20W
580.0077-L	MR16 flood	24V-20W
580.0100-L	MR16 LED	24V-6W
580.0113-L	MR16 LED	120V-4W

### ORDERING INFORMATION: MQMP

SERIES	LAMP TYPE/VOLTAGE/WATTAGE	COLOUR	OPTIONS
<b>MQMP1NC</b> = polycarbonate, one lamp <b>MQMP2NC</b> = polycarbonate, two lamps	<b>LD1</b> = MR16 LED, 6V-4W <b>LD7</b> = MR16 LED, 12V-4W <b>LD9</b> = MR16 LED, 12V-5W <b>LD10</b> = MR16 LED, 12V-6W <b>LD13</b> = MR16 LED, 24V-4W <b>6V6W</b> = MR16 halogen, 6V-6W <b>6V10W</b> = MR16 halogen, 6V-10W <b>12V12W</b> = MR16 halogen, 12V-12W <b>24V12W</b> = MR16 halogen, 24V-12W	<b>Blank</b> = factory white <b>BK</b> = black <b>SG</b> = grey	<b>Blank</b> = no options <b>T</b> = tamper-proof screws*  * 690.0454-L= tamper-proof bit (sold separately)

EXAMPLE: MQMP1NC6V6WBK

### ORDERING INFORMATION: MQM

SERIES	LAMP TYPE/VOLTAGE/WATTAGE	COLOUR	OPTIONS
<b>MQM1NC</b> = Die-Cast, one lamp <b>MQM2NC</b> = Die-Cast, two lamps	<b>12V20WH</b> = MR16-IR, 12V-20W, high output <b>24V20W</b> = MR16 halogen, 24V-20W <b>LD14</b> = MR16 LED, 24V-6W <b>LD26</b> = MR16 LED, 120V-4W	<b>Blank</b> = factory white <b>BK</b> = black <b>SG</b> = grey	<b>Blank</b> = no option <b>T</b> = tamper-proof screws*  * 690.0454-L= tamper-proof bit (sold separately)

EXAMPLE: MQM2NC12V20W