



NITE OWL™ Series

Thermoplastic

Type: _____

Project/Location: _____

Contractor: _____

Prepared By: _____

Date: _____

Model No.: _____

FEATURES

- Injection-molded thermoplastic housing
 - Two adjustable glare free light heads
 - Test switch and charge rate indicators
 - Emergency mode: minimum 90 minutes
 - Universal 120/347 VAC input
 - Innovative, snap together design allows for fast installation
 - Uses halogen MR16 lamps with front glass cover
 - Standard model comes with two 5.4W MR16 heads
 - Meets or exceeds CSA 22.2 No. 141-15
- See warranty details at: www.tnb.ca/en/brands/lumacell

TYPICAL SPECIFICATIONS

The Contractor will install the Lumacell® NH362MH battery unit. The emergency lighting system shall consist of fully automatic equipment with two MR16 glare free halogen heads. Each unit shall contain a fully automatic, solid state charger with test switch and AC on pilot lights.

The unit shall contain a sealed transfer circuit and low voltage disconnect circuit. The battery shall be 6V with a capacity of 29W for 30 minutes.

The unit shall be CSA 22.2 no. 141-15 certified.

The unit shall be Lumacell® model: _____ .

WIRE GUARDS

460.0100-L	Wall Mount or Ceiling Mount
------------	-----------------------------

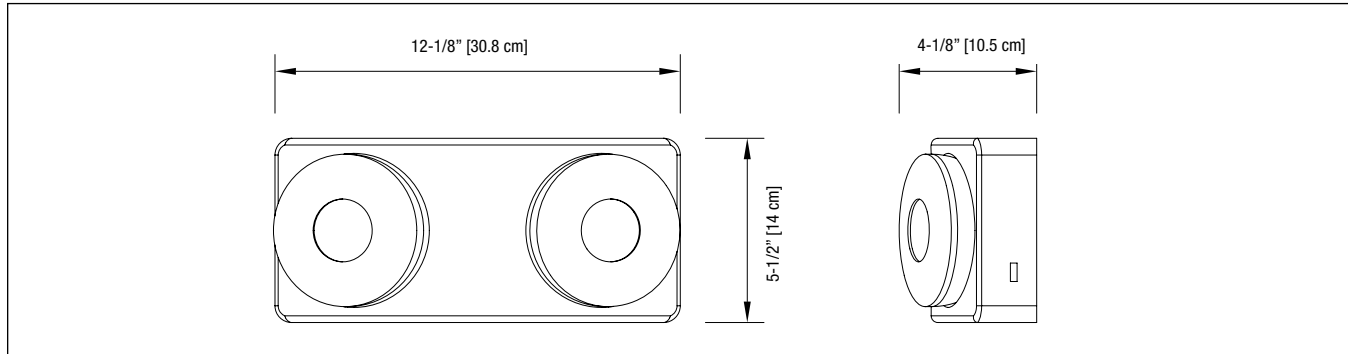
REPLACEMENT LAMPS

ORDERING CODE	TYPE	VOLTAGE/ WATTAGE
580.0072-L	MR16	6V-6W
580.0079-L	MR16	6V-10W



DIMENSIONS

Dimensions are approximate and subject to change.



POWER CONSUMPTION AND UNIT RATING

MODEL	AC SPECS			DC SPECS	
NH362MH	120/347VAC.	0.06/0.03A	Less than 6W	6V-10.8W	Min. 90 minutes
NH362MH-10W	120/347VAC.	0.06/0.03A	Less than 6W	6V-20W	Min. 30 minutes

ORDERING INFORMATION

SERIES	COLOUR	STANDARD	# OF LAMPS AND TYPE
NH	36= 6V-29W	Blank= 120/347VAC	2MH= 2XMR16 lamps, 6V-5.4W (standard) /2MH-10W= MR16 halogen, 10W

EXAMPLE: NH362MH