



10-Year Battery Worry-Free Smoke & Carbon Monoxide Alarm



Part Number **P3010L-CO-CA** Model **P3010CUCA**
10-Year Limited Warranty

Combined Smoke & Carbon Monoxide Alarm

Intelligent Sensor Technology

10-year Sealed Lithium Battery Backup

Hush®/Test Button



Description

The Kidde P3010CUCA is a 10-year, sealed battery, smoke and carbon monoxide alarm that features photoelectric and electrochemical sensing technology with a Hush® feature.

The alarm will automatically activate when it is attached to the mounting bracket; there are no pull-tabs, no switches, everything is automatic. At the end of alarm life, the unit will chirp, indicating the alarm is in need of replacement. The customer can use a simple tool such as a screwdriver to deactivate the unit, stopping the chirp and making it safe for disposal.

This smoke alarm uses photoelectric sensing technology. Photoelectric sensing alarms may detect visible fire particles (associated with slow smouldering fires) sooner than ionization alarms. Ionization sensing alarms may detect invisible fire particles (associated with fast flaming fires) sooner than photoelectric alarms. Leading authorities recommend that both ionization and photoelectric smoke alarms be installed to help ensure maximum detection of the various types of fires that can occur within the home.

Features and Benefits

- **Combined Smoke & Carbon Monoxide Alarm** – A single unit can be installed where previously, two were needed. Reduces installation time and protects against both fire and carbon monoxide dangers.
- **Intelligent Sensor Technology** – Combines the detection capabilities of a photoelectric smoke sensor with that of an electrochemical sensor, which is used to detect CO. When either sensor notices a potential hazard, the alarm will adjust its smoke sensitivity to differentiate between a real hazard and a false one.
- **10-Year Sealed Lithium Battery** – Eliminates the need to replace the battery. No battery to replace for the life of the alarm (10 years). Battery automatically activates when the alarm is attached to mounting bracket.
- **Voice Warning** – Announces the hazard type detected (in English and French). Alarm announces “FIRE!” when a smoke or fire hazard is detected and announces “WARNING! CARBON MONOXIDE!” when a CO hazard is detected.
- **Multi-function One Button Design includes:**
 - **Hush® Feature** – Temporarily silences nuisance alarms for approximately 9 minutes (smoke must be present before Hush® is activated).
 - **Test Feature** – Simultaneously tests the unit’s electronics and verifies alarm operation.
- **End of Life Notification** – Ten (10) years after unit is first powered, this alarm will chirp twice every 30 seconds to indicate it is time to replace the alarm.
- **End of Life Hush Feature** – Allows you to temporarily silence End of Life chirp 3 days at a time for a maximum of 30 day life extension.

SIGNALISATION
SIGNALLING



LISTED
HOMOLOGUÉ

CSA-6.19-01

Architectural and Engineering Specifications

The combination smoke and carbon monoxide alarm shall be Kidde model P3010CUCA or approved equal. It shall be powered by a non-replaceable 3V lithium battery with a 10-year life. The lithium battery shall be sealed in the unit to prevent removal and/or tampering. The temperature operating range shall be between 4.4°C (40°F) to 37.8°C (100°F) and the humidity operating range shall be 10%–95% relative humidity, non-condensing.

The unit shall incorporate an photoelectric smoke sensor with nominal sensitivity of 2.11 ± 0.95 %/ft. The CO sensor shall be of a fuel cell design and shall meet the sensitivity requirements of CAN/CSA 6.19-01 - Residential carbon monoxide alarming devices.

The alarm can be installed on the surface of any wall or ceiling following the UL/NFPA/Manufacturer’s recommended placement guidelines. The unit shall provide optional tamper resistance that deters removal of the unit from the wall or ceiling. No additional pieces shall be required to activate this feature.

The alarm shall include a test button that will electronically simulate the presence of smoke and CO and cause the unit to go into both modes of alarm. This sequence tests the unit’s electronics to ensure proper operation.

The CO sensor will not alarm to levels of CO below 30 ppm and will alarm in the following time range when exposed to the corresponding levels of CO:
70 ppm CO Concentration 60 – 240 minutes
150 ppm CO Concentration 10 – 50 minutes
400 ppm CO Concentration 4 – 15 minutes

The combination alarm shall have two methods of warning for danger: a piezoelectric horn that is rated at 85 decibels at 10 feet and a voice warning that identifies the danger. For a CO incident, the horn will sound in four (4) short beeps followed by the verbal warning message “Warning Carbon Monoxide!”. This continues until the unit is reset or the CO is eliminated. In a Smoke incident, the horn will sound three (3) long alarm beeps followed by the verbal warning message “FIRE!” This pattern is repeated until the smoke is eliminated. The red LED light will flash while in alarm / voice mode.

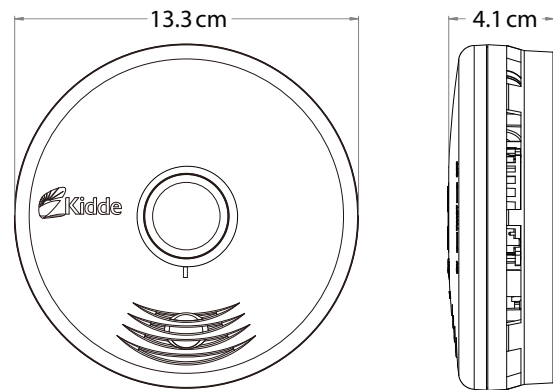
The unit shall include the Hush® feature that silences the unit for approximately 10 minutes if a nuisance alarm condition occurs. The unit shall indicate a low battery condition with a brief alarm chirp followed by a voice message once every 60 seconds and blink the red LED every 30 seconds. In standby condition, the LED will flash every 60 seconds for the first 10 minutes following power on or reset, and once every 10 minutes thereafter. It will also blink every 10 seconds while in Hush® mode. It also provides voice annunciation of “HUSH MODE ACTIVATED” when Hush® is activated and “HUSH MODE CANCELLED” when the Hush cycle ends.

The combination alarm shall include an End of Life Notification, where ten years after initial power-up the unit shall chirp two times every 30 seconds to indicate the alarm needs to be replaced. The End of Life indication can be silenced for 3 days at a time, for a maximum of 30 days. The unit shall have a deactivation switch to disable it and make it safe for disposal.

The unit shall, at a minimum, meet the requirements of CAN/CSA 6.19-01 and CAN/ULC-S531. It shall also include a 10-year manufacturer’s limited warranty.

Technical Specifications

Power Source:	Sealed 3V lithium battery
Sensors:	Smoke: Photoelectric, CO: Electrochemical
Audio Alarm	85 dB at 10 ft
Temperature Range:	4.4°C (40°F) to 37.8°C (100°F)
Humidity Range:	10%-95% relative humidity, non-condensing
Size:	13.3 cm diameter x 3.5 cm depth
Weight:	0.2 kg
Interconnects:	No
Warranty:	10-year limited



Ordering Information

UPC: 0-47871-10111-5

Part Number	12 of 5	Pack Quantity	Case Dimensions (w x d x h centimeters)	Case Weight	Case/Skid
P3010L-CO-CA	100-47871-10111-2	6 units	20 cm x 44 cm x 27 cm	2.14 kg	36



Kidde Canada Inc.
P.O. Box 40, Apsley, ON K0L 1A0
1-800-880-6788
www.kiddecanada.com

Distributed by: