



PRISM™ RZ Series

Rapid Installation
Decorative Thermoplastic

Type: _____
 Project/Location: _____
 Contractor: _____
 Prepared By: _____
 Date: _____
 Model No.: _____

FEATURES

- Impact-resistant thermoplastic construction
- Wall or ceiling mount
- Pre-wired AC quick-connect plug for fast and easy installation
- Dual-voltage input: 120/347 VAC
- Two wedge-base, incandescent lamps of 6V-5.4W
- DC-remote fused output of 6V-18W
- Fully-automatic, solid-state battery charger with brownout protection, low-voltage battery disconnect, manual test switch and LED pilot light
- Maintenance-free, sealed Lead-Calcium battery with life expectancy of five years
- Meets or exceeds CSA 22.2 No.141-15

See warranty details at: www.tnb.ca/en/brands/lumacell

TYPICAL SPECIFICATIONS

Supply and install Lumacell® Prism™ RZ Series of battery unit. The unit shall come standard with housing and back plate of white thermoplastic and two lens of prismatic shape made of clear polycarbonate. The unit shall contain a fully automatic, solid-state charger circuit with test switch button and AC-on LED pilot light. The charger shall include features like: brownout detection, low-battery disconnect and instant transfer.

The unit shall be equipped with two incandescent emergency lamps of 6V-5.4W and a maintenance-free Lead-Calcium battery with five-year life expectancy. The total output for emergency lighting shall be 6V-29W for minimum 30 minutes.

The unit shall come standard with a DC-remote cable with in-line fuse and provide 18W of remote capacity.

The unit shall be CSA C22.2 No.141-15 certified.

The unit shall be the Lumacell® model: RZ46V _____.

WIRE GUARDS

460.0100-L	Wall Mount or Ceiling Mount
------------	-----------------------------



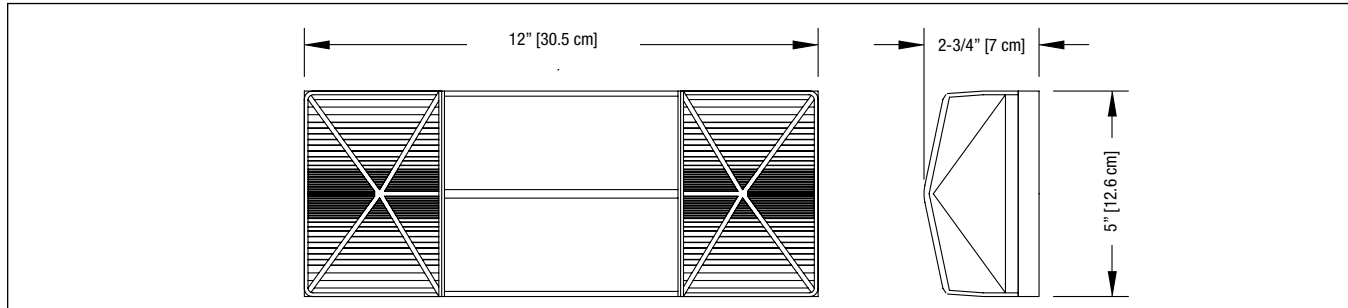
REPLACEMENT LAMPS

ORDERING CODE	TYPE	VOLTAGE/ WATTAGE
570.0012	Tungsten, wedge base	6V-5.4W

For the complete list, please see the lamp chart on page 152-154.

DIMENSIONS

Dimensions are approximate and subject to change.



POWER CONSUMPTION AND UNIT RATING

MODEL	AC SPECS	WATTAGE CAPACITY				
		30MIN	1H00	1H30	2H00	4H00
RZ4	120/347VAC 0.06/0.02A	29	17	12	10	-

ORDERING INFORMATION

SERIES	UNIT CAPACITY	AC VOLTAGE	OPTIONS
RZ4	6V= 6V-29W	Blank= 120/347VAC	LC= line cord

EXAMPLE: RZ46V