

PRMQ

DIE CAST ALUMINUM LED COMBINATION SERIES

Approvals:
 CSA Certified to C22.2 #141.15



DESCRIPTION

The PRMQ series of commercial decorative die cast aluminum combination running man signs are the perfect match of aesthetics and durability. Its unique new design provides spec-grade die cast running man signs with LED emergency lights in a low-profile frame and a spec-grade curved faceplate. The series has been designed with ultra bright, energy efficient, long-lasting white LED lamps for the exit sign and ultra bright white LED lamps in the emergency lighting heads. Faceplates have a quick-snap closure for ease of installation. Suitable for damp locations.

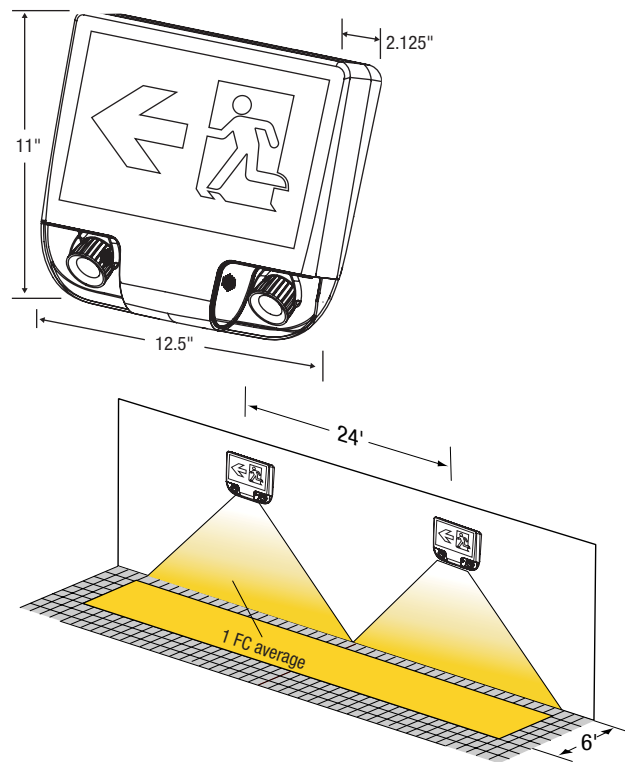
CIRCUITRY

- LED ultra bright light source
- 120/347VAC Input, field selectable
- High-performance 8.4V, 1.6 AH Ni-Cad batteries
- 120 minutes emergency power duration
- Momentary push button test switch
- Pilot LEDs for AC ON and CHARGE
- High performing 3W LEDs
- Recharge time is 24 hours

MECHANICAL

- Die cast aluminum frame and faceplate
- Die cast canopy include ceiling or end mount
- Spider knockout pattern stamped into the inside of the back plate
- Polycarbonate lens easily removed for ease of aiming
- Brushed aluminum frame and faceplate finish standard, black or white powered coat optional

DIMENSIONS



24' spacing on a 6' path mounted at 8'.

ORDERING GUIDE

PRMQ				2B03L	
Series	Nbr. of faces	Frame/back colour	Face colour	Head	Options
PRMQ	1 - Single face 2 - Double face	BA - Brushed aluminum BK - Black WH - White	BA - Brushed aluminum BK - Black WH - White	2B03L	0 - No indicators (double face only) D U UR DR DL UL Note: Indicators option available for single & double option only.



Comes standard (single face) with three pictogram legends for direction selection.



Comes standard (double face) with two pictogram legends.



For double face no arrow options, select "0" on the options column.