

PRMRN

“NOAH”

WET LOCATION RUNNING MAN COMBO

CSA Sanitation certified to NSF 2

120/277/347VAC Input

IP RATING
66



Approvals:

CSA Certified to C22.2 #141.15 NEMA 4X



DESCRIPTION

The PRMRN series of wet location combination running man exit signs is designed to operate in extreme environments. The PRMRN series is designed using a polycarbonate housing. The housing features integral wall mounting points and a molded gasket that completely seals the housing from the elements.

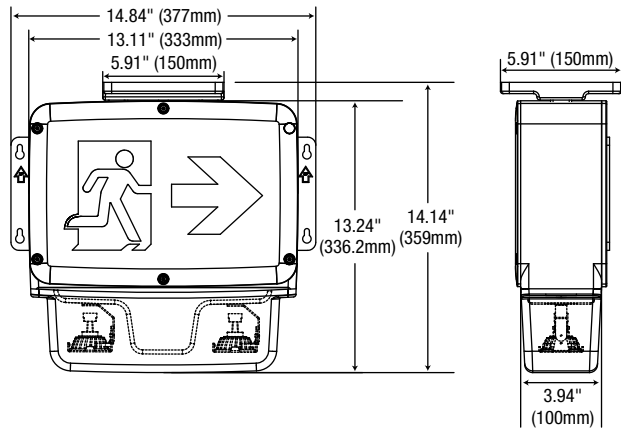
CIRCUITRY

- LED ultra bright light source
- 120/277/347VAC 60Hz Input, field selectable
- 36W Wattage capacity single or double face
- 30 minutes minimum emergency power duration (depending on selected lamp type)
- Temperature compensated charger
- Diagnostic/pilot LED
- Complete battery recharge in 24 hours

MECHANICAL

- One piece, molded and gasketed lens
- Stainless steel tamper proof screws and bits
- Universal spider knockout pattern stamped into backplate for junction box mounting
- Universal models include ceiling or end mount, field installable canopy kit
- Black or white finish

DIMENSIONS



Comes standard (single face) with three pictogram legends for direction selection.



Comes standard (double face) with two pictogram legends.



For double face no arrow options, select “0” on the options column.

ORDERING GUIDE

Series	Voltage	Wattage	Face	Mounting	Housing colour	Heads	Lamps	Mandatory Options	Options
PRMRN	6 - 6 Volts 1 - 12 Volts	036 - 36 Watts Ni-Cd	1 - Single Face 2 - Double Face	Blank - Universal	BK - Black WH - White	2 - 2 heads	See lamp selection chart	AT - Auto Test	Blank - Standard +10°C to +25°C CW* - Cold Weather at -40°C to +40°C 0 - No arrows (double face only) ↓ ↑ ↗ ↘ ↙ ↘ D U UR DR DL UL Note: Indicators option available for single & double option only.

*Available only with wattage of 36

*Available only with 120/277V

LAMP SELECTION

	6 Volts	12 Volts
MR16 Small head c/w MR16 or LED lamp		
LED	4WLR, 5WLA	4WLR, 5WLA, 6WLA, 7WLA
Quartz halogen	08WQ, 10WQ, 12WQ	08WQ, 10WQ, 12WQ

MODEL RATINGS

Model	Voltage	Wattage capacities			
		30 min.	60 min.	90 min.	120 min.
PRMRN6036	6V	36	18	12	9
PRMRN1036	12V	36	18	12	9