

RMRN

“NOAH”

WET LOCATION ANTI VANDAL RUNNING MAN

CSA Sanitation certified to NSF 2

120/277/347VAC Input

IP RATING
66



Approvals:

CSA Certified to C22.2 #141.15 NEMA 4X



DESCRIPTION

The RMRN series of wet location anti vandal running man is designed to operate in extreme environments. The unit, designed using a polycarbonate housing, maintains its sealed interior with a continuous integral gasket. As well, LED pilot light and test switch are sealed type. Available in AC/DC and internally self-powered versions.

ELECTRICAL – AC/DC

- LED ultra bright light source
- 120/277/347VAC 60Hz Input, field selectable
- 6V, 12V and 24V universal DC

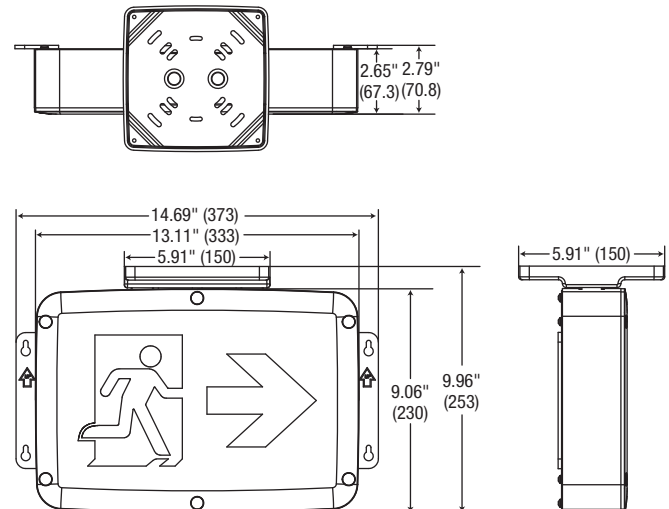
ELECTRICAL – SELF-POWERED

- LED ultra bright light source
- 120/277/347VAC Input, field selectable
- High-performance, sealed Ni-Cad battery
- 90 minutes emergency duration (standard)
120 minutes emergency duration is optional
- Solid state transfer and battery charger
- Auto test feature comes standard

MECHANICAL

- Reinforced polycarbonate construction
- Stainless steel tamper proof screws and bits
- One piece, molded and gasketed lens
- Universal spider knockout pattern stamped into backplate for junction box mounting
- Universal models include ceiling or end mount, field installable canopy kit
- Black or white finish standard

DIMENSIONS



Comes standard (single face) with three pictogram legends for direction selection.



Comes standard (double face) with two pictogram legends.



For double face no arrow options, select “0” on the options column.

ORDERING GUIDE

Series	Nbr of faces	Mounting	Frame colour	DC output	Options
RMRN	1 - Single face 2 - Double face	Blank - Universal	BK - Black WH - White	UDC - Universal DC backup voltage from 6 to 24VDC IB - Self-powered for 90 minutes IB1 - Self-powered for 120 minutes	AT - Auto test standard Blank - Standard +10°C to +40°C CW* - Cold Weather at -20C to +40°C 0 - No arrows (double face only) ↓ ↑ ↗ ↘ ↙ ↘ D U UR DR DL UL

* Available only with IB.