

120V AC Bright 177 Candela LED Strobe Light

Part Number **SLED177iCA** Model **SLED177iCA**
10-Year Limited Warranty

Bright LED 177 Candela Strobe Light

Dual Mode

120V AC Direct Wire

- Interconnects with up to 24 devices



Description

The Kidde SLED177iCA is a 120V AC wire-in remote signaling device that provides a visual warning when part of an interconnected system. The model SLED177iCA strobe light is designed to notify individuals that are hard of hearing of impending danger, they have no detection means and MUST be used in conjunction with operating Kidde smoke alarms, heat detectors and carbon monoxide alarms.

When triggered by a smoke alarm or heat detector, it will produce a steady flash warning. When triggered by a carbon monoxide alarm it will produce an intermittent flash warning.

The SLED177iCA is cUL Listed and has a 10-year limited warranty.

Features and Benefits

- **Bright LED 177 Candela Strobe Light** – Provides visual alarm. Light level proven effective in alerting the hard of hearing. Strobe light is triggered when any interconnectable smoke, heat, or CO alarm with the home is activated.
- **120V Interconnectable** – Will interconnect with up to 24 other devices (18 of which can be initiating), including smoke alarms (limit of 12), CO and heat alarms.
- **Tamper Resist Feature** – Tamper resist locking pin deters from tampering or theft.
- **No relay required**

Architectural and Engineering Specifications

The strobe light shall be Kidde Unit SLED177iCA or approved equal. It shall be powered by a regulated 120VAC with a maximum operating RMS current 630 mA. The temperature operation range shall be between 0°C (32°F) to 49°C (120°F).

The strobe light can be installed on any standard single gang electrical box or a 4" octagon junction box. The electrical connection (to the alarm) shall be made with a plug-in connector. The unit shall provide optional tamper resistance that deters removal of the unit from the wall or ceiling.

A maximum of 24 Kidde devices can be interconnected in a multiple station arrangement. The interconnect system must not exceed the limit of 18 initiating devices, of which 12 can be smoke alarms. With 18 initiating devices (smoke, heat, CO, etc), interconnected, it is still possible to interconnect 6 strobe lights and or relay modules.

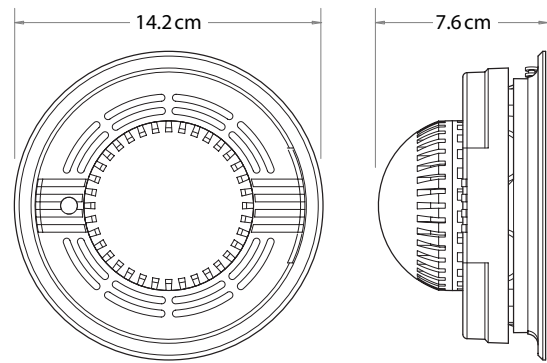
This unit shall include a bright LED 177 candela strobe light with a flash rate of one (1) flash per second. This unit shall be interconnected with Kidde smoke alarms, heat detectors and/or carbon monoxide alarms.

The unit shall incorporate a green LED indicator, that when illuminated, indicates the presence of AC power.

The unit shall at a minimum meet the requirements of CAN/ULC-S531. It also shall include a 10-year manufacturer's limited warranty.

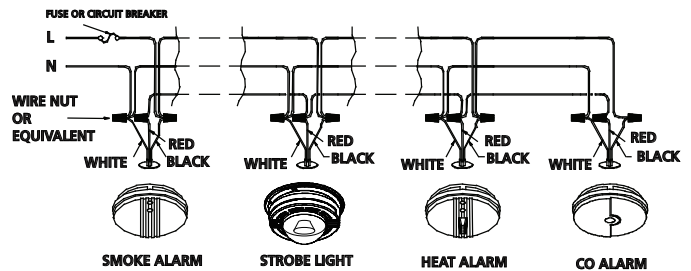
Technical Specifications

Power Source:	Regulated 120V AC, Maximum Operating RMS Current 630 mA
Flash Rate:	1 flash/second
Light Output:	177 candela minimum
Temperature Range:	0°C (32°F) to 49°C (120°F)
Size:	14.2 cm in diameter x 7.6 cm depth
Weight:	0.28 kg
Wiring:	Quick connect plug with 6" pigtails
Interconnects:	Up to 24 Kidde devices (of which 18 can be initiating)
Warranty:	10-year limited



Installation of Alarm

The strobe light should be installed to comply with all local codes having jurisdiction in your area. Make certain all alarms are wired to a single, continuous (non-switched) power line, which is not protected by a ground fault interrupter. A maximum of 305 m (1000') of wire can be used in the interconnect system. Use standard CSA listed household wire as required by code.



Ordering Information

UPC: 0-47871-10285-3

Part Number	12 of 5	Pack Quantity	Case Dimensions (w x d x h centimeters)	Case Weight	Case/Skid
SLED177iCA	100-47871-10285-0	3 units	15 cm x 26.5 cm x 15 cm	1.36 kg	378



Kidde Canada Inc.
P.O. Box 40, Apsley, ON K0L 1A0
1-800-880-6788
www.kiddecanada.com

Distributed by: