

SLQ

DIE CAST ALUMINUM LED BATTERY UNIT LED 120/347VAC Input

SP® Approvals:
CSA Certified to C22.2 #141.15



DESCRIPTION

The SLQ series provides a commercial decorative die cast aluminum battery unit perfect match of aesthetics and durability. Its unique new design provides spec-grade with LED emergency lights in a low-profile and a spec-grade curved housing. The series has been designed with ultra-bright, energy efficient, long-lasting LED lamps in the emergency lighting heads. Suitable for damp locations.

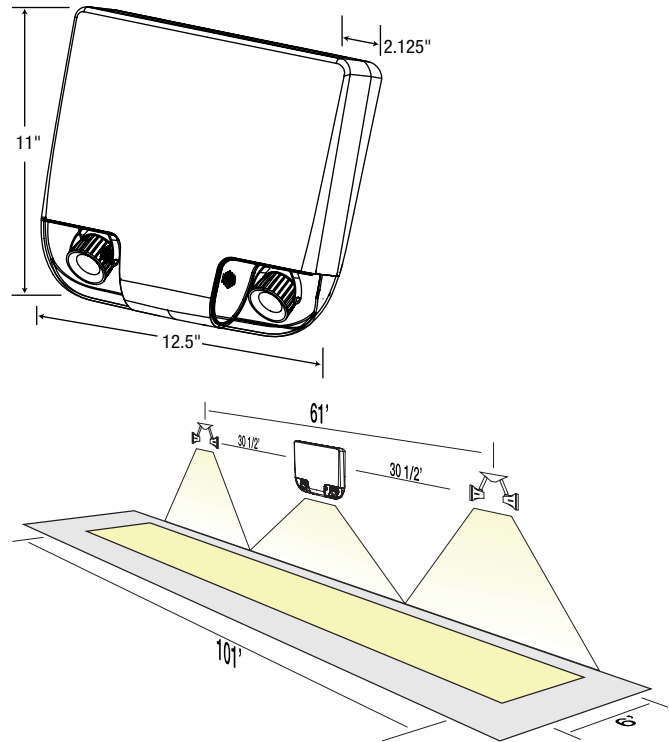
CIRCUITRY

- 120/347VAC 60Hz Input, field selectable
- High efficiency, rapid recovery, precision control charging system
- Wattage capacity 16W
- 30 minutes emergency power duration standard
- Momentary push button test switch
- Diagnostic/pilot LEDs for AC ON and CHARGE
- Fully automatic, current limited charger
- Brownout and short circuit protection
- Temperature compensated
- Load connection 16W
- Complete battery recharge in 24 hours
- Maintenance free, Ni-Cad battery

MECHANICAL

- Die cast aluminum construction
- 120VAC line cord supplied standard
- A maintenance free, Ni-Cad battery is included with the unit.
- Multiple conduit entry
- Universal spider knockout pattern and keyhole mounting slots stamped into back of cabinet
- Unit "quick snaps" onto back plate for simple, speedy installation
- White color is standard, black, brushed aluminum is optional
- Wall-mount or ceiling mount installation
- Available with long lasting MR16 LED lamps with polycarbonate covers

DIMENSIONS



Only available with the following remote heads:
S1-06V4LR / S2-06V4LR
M1-06V4LR / M2-06V4LR

ORDERING GUIDE

SLQ	06	16W	2B03L		/	
Series	Voltage	Wattage	Head	Color		Options
SLQ	06 - 06V	16W - 16W	2B03L - 2 x 3W LED	WH - White (standard) BK - Black BA - Brushed aluminum		WG - Wireguard (sold separately)