

SLRXP

HAZARDOUS LOCATION REMOTE FIXTURE

Class I, Division I, Group C + D

6, 12 or 24VDC Models

Wall, Ceiling or Pendant Mount



Approvals:

CSA C22.2 #137 Hazardous Location Approved Class I.
Division I, Groups C and D. CSA C22.2 #141.15 Certified



DESCRIPTION

Designed to meet the strictest Codes, the SLRXP series of hazardous location remote fixtures provides safe and dependable operation. The SLRXP series housings are built with die cast, copper free aluminum, in a variety of Class and Division rated models. Available as 6V, 12V or 24V models with wall, ceiling or pendant mounted configuration.

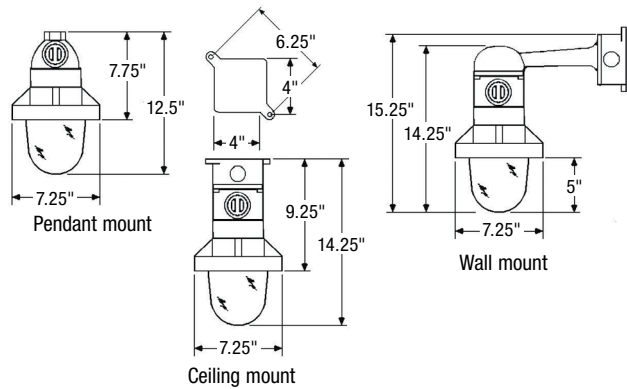
CIRCUITRY - AC & AC/DC

- Single or double internal MR11 lamp assemblies
- Quartz-halogen bi-pin lamps
- Temperature code: T6

MECHANICAL

- Die cast, copper free aluminum, grey finish
- Heavy-duty Pyrex glass lens
- Internal MR11 lamp assembly is fully adjustable
- Wall, ceiling or pendant mounting (as specified)
- Wiring pre-pulled through fixture
- Wall and ceiling models c/w integrated die cast junction box
- Junction box c/w oversized integral mounting holes and tapped and plugged rigid holes

DIMENSIONS



ORDERING GUIDE

Series	Head	Nbr of lamps	Voltage	Lamp	Lamp type	Mounting	Class	Division	Group	Options†
SLRXP	1 - Single 2 - Double (with J-Box)	1 - Single lamp per head 2 - Double lamp per head	06 - 6VDC 12 - 12VDC 24 - 24VDC	See lamp selection chart below	Q - Quartz halogen	CM - Ceiling mount PM - Pendant mount WM - Wall mount	1	1	C D	PG

† For detailed options descriptions, please consult the options page.

LAMP SELECTION

	6 Volts	12 Volts	24 Volts
MR11 - Small head c/w lamp			
Quartz Halogen	100, 150	100, 120, 200	200

Maximum of two 20W quartz lamps per globe/head.