

SPEXH

HAZARDOUS LOCATION EXIT

Class I, Division II / Zone 2 Group C + D

12VDC, 36 - 200 Watts

120/347VAC Input

SP® Approvals:
 CSA C860 Approved and CSA C22.2 #137 Hazardous Location
 Approved Class I, Division II / Zone2, Groups C and D.
 CSA C22.2 #141.15 Performance Certified

DESCRIPTION

The SPEXH series of Class I, Division II / Zone 2 rated exit combos is designed to perform in demanding hazardous applications. The unit maintains its sealed interior with a continuous integral gasket. As well LED pilot light and test switch are sealed type. The breather, pilot light and test switch have all been mounted into the bottom of the enclosure to allow for quick and simple visual inspection and maintenance testing from below.

CIRCUITRY

- LED ultra bright light source
- 120/347VAC Input, field selectable
- 12VDC emergency power output
- Wattage capacities from 36 to 200 watts
- 30 minutes emergency power duration standard
- Sealed momentary push button test switch
- Diagnostic/pilot LED for AC ON
- Fully automatic, current limited charger
- Solid state design and construction with brownout and short circuit protection
- Temperature compensated
- Large terminal strip connector all electrical connections - AC and DC
- Maintenance free, sealed lead acid battery



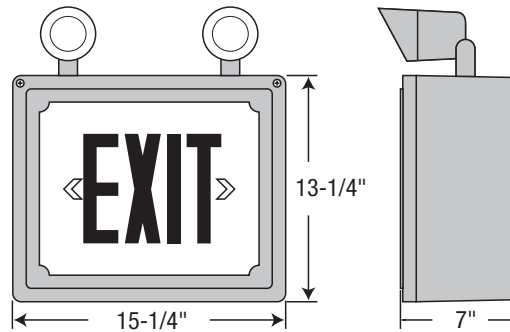
BOTTOM VIEW
 1- AC ON PILOT LED
 2- BREATHER VALVE
 3- TEST SWITCH



MECHANICAL

- Heavy-duty non-metallic, reinforced construction
- One piece, molded and gasketed lens
- Removable directional chevrons/arrows
- Bottom hinged cover secured with two screws
- One-way breather valve for release of gases and/or moisture condensation
- All external metal hardware is stainless steel
- Single face, wall mount only
- Grey finish housing, white faceplate standard

DIMENSIONS

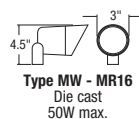


ORDERING GUIDE

SPEXH	1		1	—	
Series	Voltage	Wattage	Face	Head/Lamp	Lamp
SPEXH	1 - 12VDC	See model rating below	1 - Single face	00 - No heads 1D - One MR16 Weather-Proof 2D - Two MR16 Weather-Proof	See lamp selection chart below

LAMP SELECTION

	12 Volts
MR16 - Small head c/w MR16 Lamp	
Quartz Halogen	8Q, 12Q, 20Q
LED	4LR



TEMPERATURE CODES

Head/Lamp	Temperature Code
D_8WQ	T3C
D_12WQ	T3A
D_20WQ	T2C
D_4LR, 0 (no heads)	T4A

MODEL RATINGS

Model	Voltage	Wattage capacities			
		30 min.	60 min.	90 min.	120 min.
SPEXH10361	12VDC	36	18	12	9
SPEXH10501	12VDC	50	25	16	12
SPEXH10721	12VDC	72	36	24	18
SPEXH11001	12VDC	100	50	33	25
SPEXH11601	12VDC	160	80	53	40
SPEXH12001	12VDC	200	100	66	50