



3LSROW4T Series

NEMA-3R Certified
Combination Unit

Type: _____
 Project/Location: _____
 Contractor: _____
 Prepared By: _____
 Date: _____
 Model No.: _____

FEATURES

- This unit is ideal for schools, parking garages, public places, transit platforms and security areas such as jails
 - Units are NEMA-3R certified
 - Heavy-duty, gasketed fiberglass reinforced housing, designed specifically for industrial applications
 - Sealed, vandal resistant clear polycarbonate faceplate
 - Fully integrated unit with charger and rechargeable battery
 - Solid state charger circuitry – capable of full recharge within 24 hours
 - Low voltage disconnect circuitry
 - Sealed, dust-tight transfer relay
 - Long-life, uniform illumination of the Exit Sign “SORTIE” legend is provided by an energy efficient, LED light source consuming less than 3W per face is warranted for ten (10) years
 - Power pack includes a magnetic test switch and high charge pilot light
 - Compatible with PAR36 lamps or sealed tungsten/halogen lamps. Teflon coated lenses available in option
 - In emergency mode, the long life, sealed nickel cadmium battery provides power to the Exit Sign and lamp heads for a minimum of 30 minutes
 - Meets or exceeds CSA 22.2 No. 141-15
- See warranty details at: www.tnb.ca/en/brands/lumacell



TYPICAL SPECIFICATIONS

Supply and install **Lumacell® SOW4T Series** industrial combination unit. The unit shall be fabricated of industrial grade polycarbonate designed specifically for industrial environments. The sealed front cover shall be fabricated of high abuse and vandal-resistant polycarbonate, and feature an evenly illuminated legend. The word “SORTIE” shall be illuminated by long life LEDs consuming less than 1.5W per face.

The light source shall be ALINGAP technology red LED. The Exit Sign shall be certified NEMA-3R and designed specifically for applications such as high abuse areas, wet locations, environments requiring dust and oil tight equipment or cold temperatures.

It shall be designed to provide normal AC illumination and upon AC failure, the Exit Sign and lamp heads shall stay illuminated in emergency mode for a minimum of 30 minutes. The power pack is supplied with a magnetic test switch and a high charge pilot light.

The Exit Sign shall be NEMA-3R and CSA 22.2 No. 141-15 certified.

The equipment shall be **Lumacell®** Model: _____ .

WIRE GUARDS

460.0034-L	Wall Mount
460.0104-L	Ceiling Mount

IN THE SAME FAMILY:



- LSROW4T | NEMA-3R
Certified Combination Unit
p. 60



Type: _____
 Project/Location: _____
 Contractor: _____
 Prepared By: _____
 Date: _____
 Model No.: _____

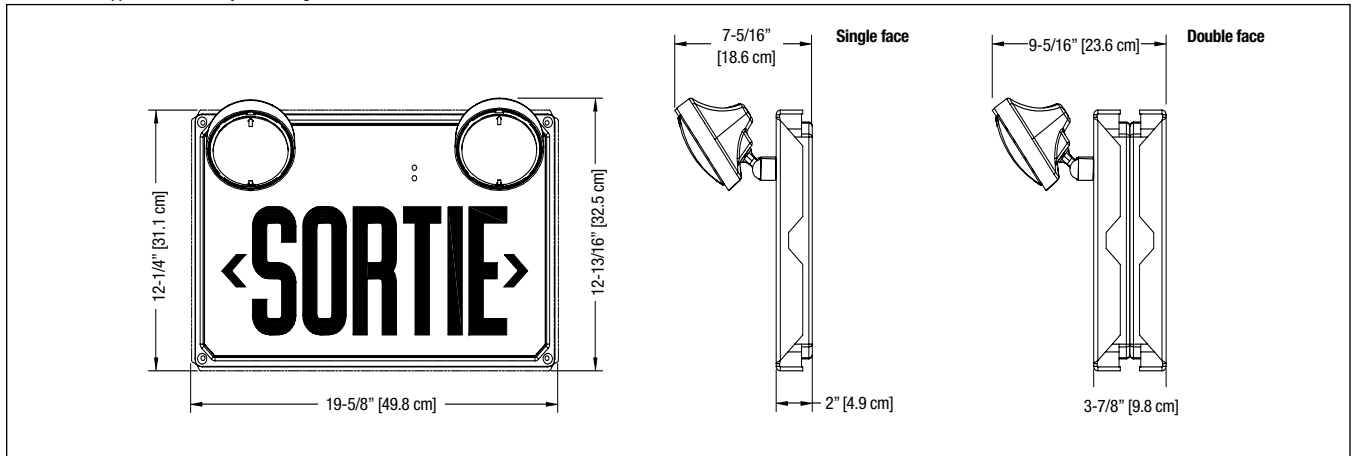
3LSRSOW4T Series

NEMA-3R Certified
 Combination Unit



DIMENSIONS

Dimensions are approximate and subject to change.



POWER CONSUMPTION AND UNIT RATING

MODEL	AC SPECS	WATTAGE CAPACITY					
		30MIN	1H00	1H30	2H00	4H00	
3LSRSO	120/347VAC	0.15/0.0 A	36	21	15	12	6
7LSRSO		0.15/0.06A	72	42	30	24	12

Note: double face models have double the power consumption above

ORDERING INFORMATION

SERIES	APPROVAL	NUMBER OF HEADS	LAMP TYPE AND WATTAGE	VOLTAGE	OPTIONS
3LSRSO1W4T= 6V-36W, SORTIE, single face 3LSRSO2W4T= 6V-36W, SORTIE, double face 7LSRSO1W4T= 6V-72W, SORTIE, single face 7LSRSO2W4T= 6V-72W, SORTIE, double face	C860	Blank = no heads 1= one head 2= two heads	LH9W = large tungsten, 6V-9W, wedge base LH18W = large tungsten, 6V-18W, DCB LH25W = large halogen, 6V-25W, DCB LHQ8W = large halogen, 6V-8W, bi-pin LHQ12W = large halogen, 6V-12W, bi-pin LHQ20W = large halogen, 6V-20W, bi-pin QSB8W = large halogen, 6V-8W, sealed beam QSB12W = large halogen, 6V-12W, sealed beam QSB20W = large halogen, 6V-20W, sealed beam SB18W = large tungsten, 6V-18W, sealed beam SB25W = large tungsten, 6V-25W, sealed beam	Blank = 120/347VAC	TC = teflon coated lens

EXAMPLE: 3LSRSO1W4TC8602LH9W