



EF11 Series

Remote Fixture

Project/Location:	_____
Contractor:	_____
Date:	_____
Prepared by:	_____

FEATURES

- Available in single, double or triple head fixtures
- Durable thermoplastic construction suitable for industrial or high abuse areas
- Tool-less adjustment and aiming of lamp heads
- Certified CSA C22.2 No.141
- Weatherproof

WIRE GUARDS

460.0035-E	Wall Mount (EF11)
460.0082-E	Wall Mount (EF11D)

REPLACEMENT LAMPS

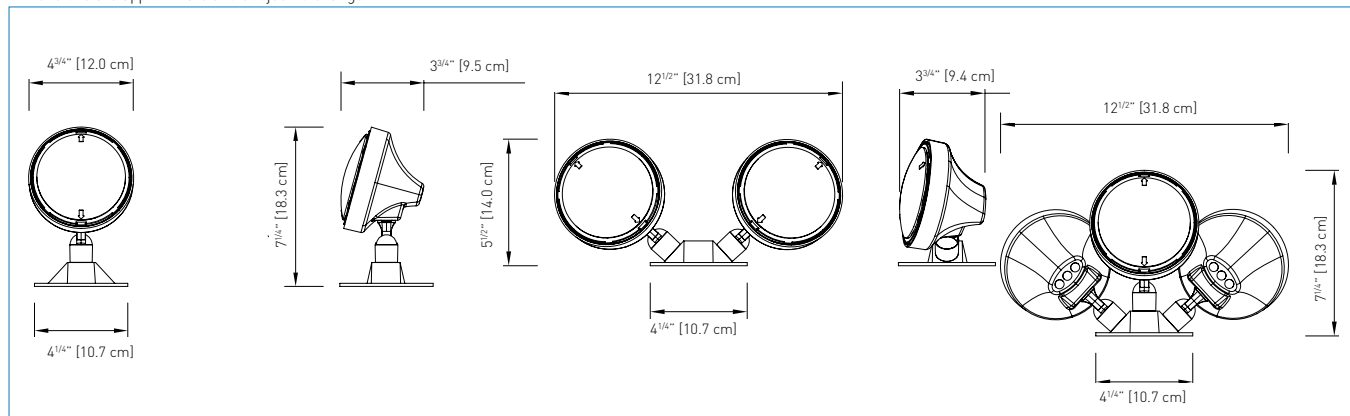
MODEL	LAMP TYPE	VOLTAGE-WATTAGE
570.0016-E	Tungsten	6V-9W
570.0025-E	Tungsten	12V-9W
570.0079-E	Tungsten	24V-9W



For the complete list, please see the lamp chart on pages 156 to 158

DIMENSIONS

Dimensions are approximate and subject to change.



ORDERING INFORMATION

SERIES	LAMP STYLE	COLOUR	VOLTAGE/WATTAGE	OPTIONS
EF11= single EF11D= double EF11T= triple	Blank= tungsten Q= halogen S= tungsten sealed beam H= halogen sealed beam	Blank= black W= factory white	-6V9W= tungsten, 6-9W, wedge base -6V__W= tungsten, 6V-18 or 25W, D.C.B. -12V__W= tungsten, 12V-9 or 18W, wedge base -12V25W= tungsten, 12V-25W, D.C.B. -24V__W= tungsten, 24V-9 or 18W, wedge base -24V25W= tungsten, 24V-25W, D.C.B. -6V__W= halogen, 6V - 8, 12 or 20W, bi-pin -12V__W= halogen, 12V - 8, 12, 20 or 55W, bi-pin -24V__W= halogen, 24V - 20 or 70W, bi-pin -6V__W= tungsten, 6V - 8, 12, 18 or 25W, sealed beam -12V__W= tungsten, 12V - 12, 18 or 25W, sealed beam -6V__W= halogen, 6V-8,12 or 20W, sealed beam -12V__W= halogen, 12V - 8, 12 or 37W, sealed beam -32V__W= tungsten, 32V - 18 or 25W, D.C.B. -120V__W= tungsten, 120V - 10 or 15W, D.C.B. -120V__W= halogen, 120V - 35 or 50W, D.C.B.	FP= teflon coated lens
			NOTE: "__"= insert wattage required.	

EXAMPLE: EF11Q-12V12W