



Non Addressable Manual Station

FW751



DESCRIPTION

The FW751 and FW751C Non-addressable Manual Stations are UL listed devices according to UL 38 and ULC-S528 for Fire Protective Signaling Systems for indoor use, and also meet ADA 5lb. maximum manual-force. It is normally open initiating device made from durable materials and solid parts for long lasting performance. In case of fire, an alarm signal is generated by lifting the cover and pushing the button. A red LED is visible on the station when the fire alarm signal is activated. A switch key (included) resets the station.

ATTENTION

Products must be installed in accordance with the National Fire Alarm Code, NFPA 72, CAN / ULC-S524 and / or National Electrical Code, depending on the country of the installation. Check information on equipment used in the system from other manufacturers for instructions and restrictions. The detector should never be installed in the following places: where there is a lot of exhaust gas, kitchens, near fireplaces, boilers, etc. Smoke detectors should not be used with detector guards unless the suit has been evaluated and approved for this case.

NOTE

Do not paint this unit.

Any material extrapolated from this document or Maple Armor's instructions or other materials describing the product for promotional or advertising purposes, or for any other purpose, including the description of the application, the use, installation and testing of the product is the sole responsibility of the user. Maple Armor assumes no responsibility for the use. In no event shall Maple Armor's liability exceed the purchase price of the product.

INSTALLATION

Surface box and electrical box are optional for installation, as illustrated in Figure 1.

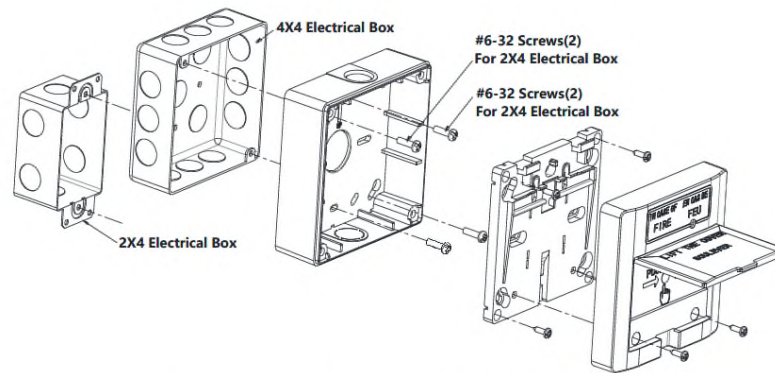
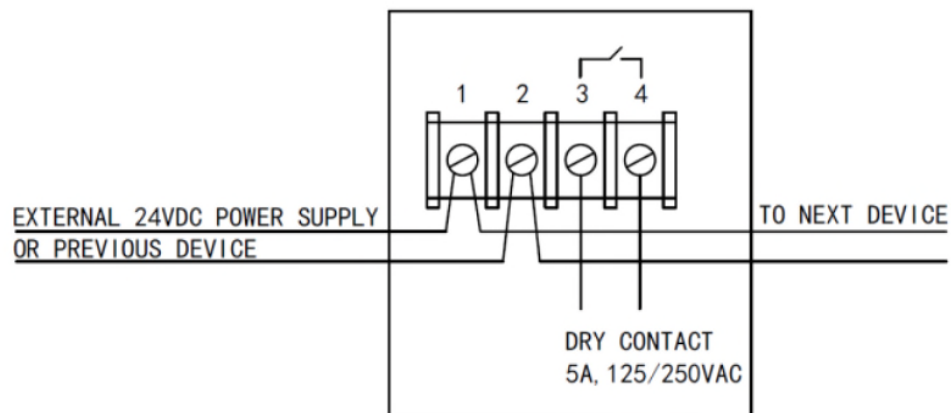


Figure 1. Manual Station Installation



SPECIFICATION

FW751	
Operating Voltage	12 to 33 VDC
Standby Current	0mA
Alarm Current	150 mA max.
Operating Temperature	32°F to 120°F (0°C to 49°C).
Operating Humidity	0% to 93% RH
Weight	8.4 oz (237g)
Dimension	120 mm (L) x 120 mm (W) x 54 mm (H)
mounting	FW700
Wiring Gauge	12 to 18 AWG

CATALOGUE NUMBER TO ORDER

Mode	Description
FW751	Non Addressable pull station English
FW751C	Non Addressable pull station Bilingual
FW700	Surface box
FW PK	Reset key
STI-1100-FR	Stopper flush mount with 9-volt battery & mini horn
STI-1130-FR	Stopper surface with 9-volt battery & mini horn
STI-1200-FR	Stopper inside flush mount
STI-1230-FR	Stopper inside surface
STI-1250-FR	Stopper flush mount outside
STI-3150-FR	Stopper surface outside