



new

IPE-LED Series

IP65 Linear LED Fixture

Type: _____
 Project/Location: _____
 Contractor: _____
 Prepared By: _____
 Date: _____
 Model No.: _____

FEATURES

- IP65 Rated
- Polycarbonate enclosure and lens, vandal resistant and UV stabilized
- Rust-proof hardware
- Ceiling, surface or pendant mounting
- Low profile, less than 4 inch deep
- 0-10V dimming standard on all models
- 120VAC to 277VAC universal
- Certified for wet and damp locations
- Expected life of 50 000 hours (L70), CCT 5000K
- 5 year Limited Warranty



TYPICAL SPECIFICATIONS

Supply and install **Emergi-Lite® IPE-LED Series** linear LED fixtures as specified. The luminaire shall operate in 120VAC and use high efficiency electronic drivers. The housing and lens shall be constructed of UV- stabilized industrial grade vandal-resistant polycarbonate. A durable formed gasket shall be provided between the enclosure and the lens and shall be designed specifically for hostile environments. A metal plate used to retain the reflector also serves to dissipate heat, therefore lengthening driver life. LED fixture shall be as specified, either 5000, 47W or 7000 Lumens, 75W.

The fixture shall have five year warranty.
 The fixture shall be **Emergi-Lite®** model: _____

WIRE GUARDS

460.0105-E	Wall Mount or Ceiling Mount
------------	-----------------------------

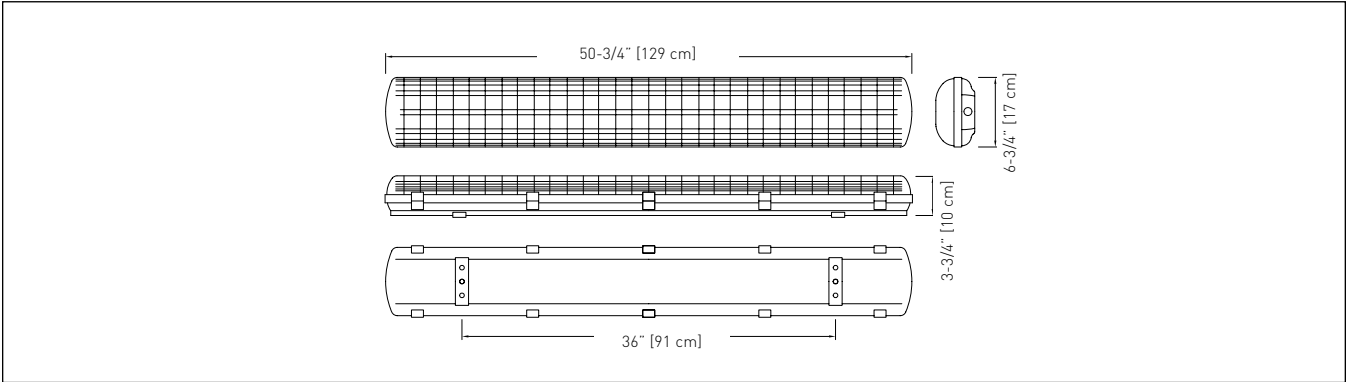


POWER CONSUMPTION

MODEL			AC SPECS		
IPE-LED05-4	5000 Lumens	120/277VAC	47W	0.39/0.17A	PF > 0.9
IPE-LED07-4	7000 Lumens	120/277VAC	75W	0.7/0.3A	PF > 0.9

DIMENSIONS

Dimensions are approximate and subject to change.



ORDERING INFORMATION

SERIES	LUMEN OUTPUT	LENGTH	VOLTAGE
IPE-LED	05= 5000 Lumen 07= 7000 Lumen	-4= 4 ft	Blank= AC only 120/277VAC

EXAMPLE: IPE-LED05-4

Type: _____
 Project/Location: _____
 Contractor: _____
 Prepared By: _____
 Date: _____
 Model No.: _____

new

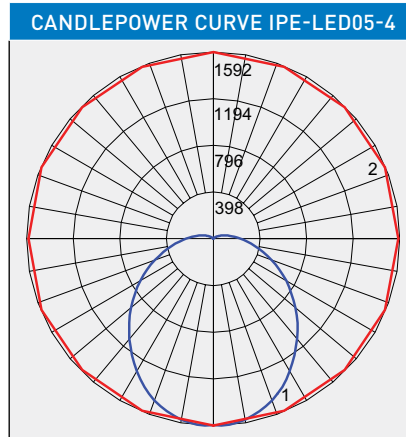
IPE-LED Series

IP65 Linear LED Fixture



PHOTOMETRIC

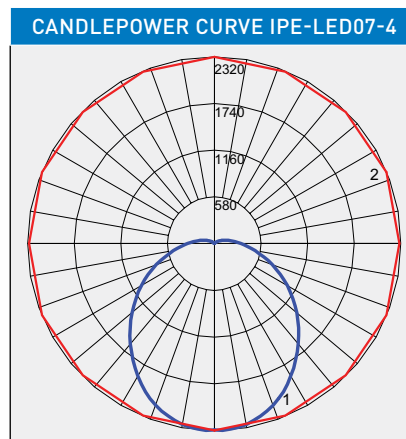
[DESCRIPTION] CEILING MOUNT	
REFERENCE DATA	
Catalogue No.	IPE-LED05-4
Luminaire Lumens	4,734
Luminaire Efficacy Rating (LER)	102
Input Watt	46.37
Spacing Criterion (0-180)	1.20
Spacing Criterion (90-270)	1.24
Spacing Criterion (Diagonal)	1.34
Luminous Length (0-180)	4.08 ft
Luminous Width (90-270)	0.54 ft
Luminous Height	0.15 ft



Maximum Candela = 1592 Located At Horizontal Angle = 90, Vertical Angle = 2.5
 # 1 - Vertical Plane Through Horizontal Angles (90 - 270) (Through Max. Cd.)
 # 2 - Horizontal Cone Through Vertical Angle (2.5) (Through Max. Cd.)

ZONAL LUMEN SUMMARY		
ZONE	LUMENS	% FIX
0-20	576.68	12.20
0-30	1211.47	25.60
0-40	1956.95	41.30
0-60	3397.97	71.80
0-80	4306.98	91.00
0-90	4514.73	95.40
10-90	4364.67	92.20
20-40	1380.27	29.20
20-50	2138.01	45.20
40-70	1983.57	41.90
60-80	909.01	19.20
70-80	366.46	7.70
80-90	207.75	4.40
90-110	171.67	3.60
90-120	200.84	4.20
90-130	213.42	4.50
90-150	218.46	4.60
90-180	218.77	4.60
110-180	47.10	1.00
0-180	4733.5	100.00

[DESCRIPTION] CEILING MOUNT	
REFERENCE DATA	
Catalogue No.	IPE-LED07-4
Luminaire Lumens	6,879
Luminaire Efficacy Rating (LER)	95
Input Watt	72.24
Spacing Criterion (0-180)	1.20
Spacing Criterion (90-270)	1.24
Spacing Criterion (Diagonal)	1.34
Luminous Length (0-180)	4.13 ft
Luminous Width (90-270)	0.54 ft
Luminous Height	0.15 ft



Maximum Candela = 2320 Located At Horizontal Angle = 90, Vertical Angle = 2.5
 # 1 - Vertical Plane Through Horizontal Angles (90 - 270) (Through Max. Cd.)
 # 2 - Horizontal Cone Through Vertical Angle (2.5) (Through Max. Cd.)

ZONAL LUMEN SUMMARY		
ZONE	LUMENS	% FIX
0-20	840.33	12.20
0-30	1764.76	25.70
0-40	2851.04	41.40
0-60	4956.66	72.10
0-80	6280.9	91.30
0-90	6575.45	95.60
10-90	6356.69	92.40
20-40	2010.71	29.20
20-50	3116.88	45.30
40-70	2898.74	42.10
60-80	1324.24	19.20
70-80	531.12	7.70
80-90	294.55	4.30
90-110	240.01	3.50
90-120	280.66	4.10
90-130	297.98	4.30
90-150	303.86	4.40
90-180	303.93	4.40
110-180	63.92	0.90
0-180	6879.38	100.00