



IPE Series

IP65 Linear
Fluorescent Fixture

Type: _____
 Project/Location: _____
 Contractor: _____
 Prepared By: _____
 Date: _____
 Model No.: _____

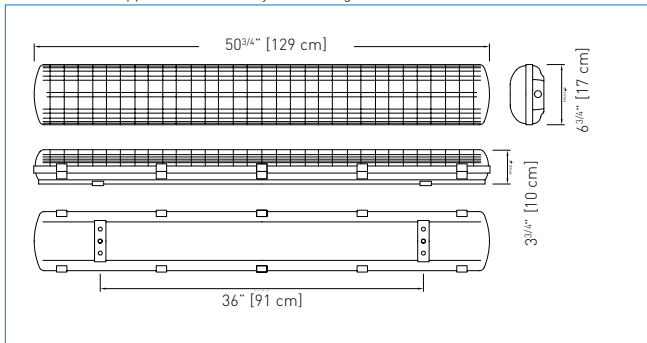
FEATURES

- IP65 rated
- Polycarbonate enclosure and lens, vandal resistant and UV stabilized
- Rust proof hardware
- Ceiling, surface or pendant mounting
- Low profile, less than 4" deep
- Ultra efficient specular reflector (T5) or White reflector (T8) with optimized shape
- 32W T8 or 54W T5H0
- 90 minutes of emergency operation when installed with our FPSI or FPSU inverters
- Emergency operation from external DC low voltage power source when installed with our 48 Series inverters
- Suitable for wet locations
- CSA certified to CSA-E60598-1: 02



DIMENSIONS

Dimensions are approximate and subject to change.



TYPICAL SPECIFICATIONS

Supply and install **Emergi-Lite® IPE Series** fluorescent fixtures as specified. The luminaire shall operate from 120VAC to 277VAC or 347VAC and use high quality instant start or 3-step programmed rapid start high efficiency electronic ballasts.

The body and lens shall be constructed of UV stabilized industrial grade vandal-resistant polycarbonate. A durable formed gasket shall be provided between the enclosure and the lens and shall be designed specifically for hostile environments. Ultra efficient white reflector for IPE8W and specular reflector for IPE5 and formed to maximize light output efficiency. All parts shall be corrosion resistant. A metal plate used to retain the ballast and reflector also serves to dissipate heat, therefore lengthening ballast life.

Lamps shall be as specified, either T8 or T5 H0 linear fluorescent lamps, 32W or 54W. The lamps shall not be supplied with the luminaire. Models with an inverter from the **FPSI/FPSU Series** shall illuminate one or two lamps during emergency operation for at least 90 minutes upon AC failure. During power outage, dual voltage source (AC/DC) models with an inverter from the **48 Series** shall illuminate one lamp while the DC voltage is present.

The fixture shall be CSA approved and meet IP65 designation requirements.

The inverters of **Series 48** shall be CSA approved.

The inverters of the **FPS Series** shall be CSA or cUL approved.

The fixture shall be **Emergi-Lite®** model: _____

WIRE GUARDS

460.0105-E	Wall Mount or Ceiling Mount
------------	-----------------------------

POWER CONSUMPTION

MODEL		AC SPECS	
IPE8W	120/277VAC	0.54/0.23 A	PF > 0.9
IPE8W3	347VAC	0.19 A	PF > 0.9
IPE5	120/277VAC	1.03/0.143 A	PF > 0.9
IPE53	347VAC	0.35 A	PF > 0.9

ORDERING INFORMATION

SERIES	LAMP TYPE*	VOLTAGE	ACCESSORIES
IPE= 48" (122cm) linear fluorescent	8W= 2x lamps 32W T8 white reflector 5= 2x lamps 54W T5H0	Blank= AC only 120/277VAC 3= AC only 347VAC DC= 120VAC/VDC	Self-powered, one lamp emergency FPSI-32= inverter for IPE8W (complete code = IPE8WFPSI-32) FPSIU-3= inverter for IPE8W3 (complete code = IPE8W3FPSIU-3) FPSIU= inverter for IPE5 (complete code= IPE5FPSIU)
			Self-powered, two lamps emergency FPSU-28= inverter for IPE8W (complete code= IPE8WFPSU-28) FPSIU-32L= inverter for IPE8W3 (complete code= IPE8W3FPSIU-32L)
			Fluorescent inverters, non self-powered 4806100= 6V, 120VAC 4806100-3= 6V, 347VAC 4812100= 12V, 120VAC 4812100-3= 12V, 347VAC 4824100= 24V, 120VAC 4824100-3= 24V, 347VAC 4832100= 32V, 120VAC 4832100-3= 32V, 347VAC 4848100= 48V, 120VAC 4848100-3= 48V, 347VAC 48120100= 120V, 120VAC 48120100-3= 120V, 347VAC 081282-E= Stainless Steel Clips Kit (10)
* Lamps not included.			

EXAMPLE: IPE8W