

Project/Location:  
 \_\_\_\_\_  
 Contractor:  
 \_\_\_\_\_  
 Date:  
 \_\_\_\_\_  
 Prepared by:  
 \_\_\_\_\_

# JEM18P Series

Compact Emergency Lighting Units



## FEATURES

- Compact emergency lighting unit available in factory white
- Fully automatic, solid state, voltage sensitive charger with test switch and AC-on pilot light
- Sealed dust-proof transfer relay circuit and low voltage disconnect
- Long-life, maintenance-free sealed Lead-Calcium battery
- Housing and heads constructed of injection molded, high impact, corrosion resistant thermoplastic
- 120VAC standard input
- 60 minutes run time
- CSA C22.2 No. 141 certified

## TYPICAL SPECIFICATIONS

The contractor will install the **Emergi-Lite® JEM18P Series** compact emergency lighting unit. The unit housing shall be made of injection moulded, high impact, corrosion resistant thermoplastic. The unit dimensions including the emergency heads shall be less than 24.1cm x 17.1cm x 12.4cm. The unit shall be rated 120VAC 60Hz input and 6VDC nominal output. The unit shall contain a fully automatic, solid-state battery charger with test switch and AC-on pilot light. The charger shall be computer tested and shall contain low-voltage disconnect circuitry to protect the battery from deep discharge. The battery shall be maintenance-free, sealed lead-calcium and shall supply the emergency heads with power for minimum 60 minutes during an AC power failure.

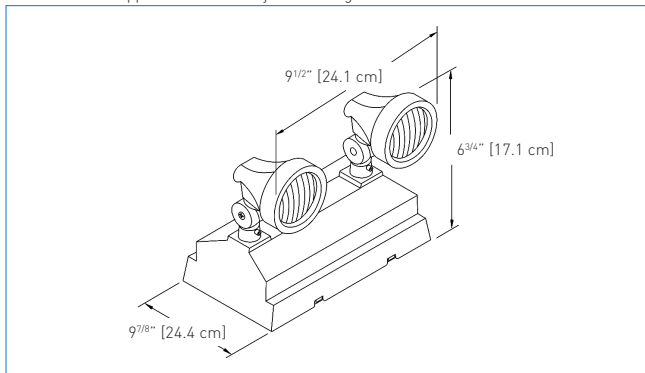
The unit shall include two emergency heads built of flame-retardant thermoplastic and shall include two mini-tungsten 6V-9W lamps.

The unit shall be CSA C22.2 no 141.

The unit shall be **Emergi-Lite®** Model: \_\_\_\_\_ .

## DIMENSIONS

Dimensions are approximate and subject to change.



## WIRE GUARDS

460.0082-E	Wall Mount or Ceiling Mount
------------	-----------------------------

## REPLACEMENT LAMPS

ORDERING CODE	LAMP TYPE	VOLTAGE/WATTAGE
570.0016-E	Mini tungsten	6V-9W

## ORDERING INFORMATION

SERIES	CAPACITY	LAMP	COLOUR	VOLTAGE
JEM= compact plastic	18P= 18W	Blank= 6V-9W	Blank= factory white	Blank= 120VAC input

EXAMPLE: JEM18P