



# Literay Series

Wall Mounted  
Remote Head

Project/Location: \_\_\_\_\_

Contractor: \_\_\_\_\_

Date: \_\_\_\_\_

Prepared by: \_\_\_\_\_

## FEATURES

- Outdoor/Indoor installation
- Compact wall sconce unit for indoor and outdoor use
- High impact resistant polycarbonate diffuser
- Adjustable lamps
- Die-Cast aluminum housing
- Vandal resistant option
- CSA Certified to C22.2 No. 141

## WIRE GUARDS

460.0082-E	Wall Mount
------------	------------



## TYPICAL SPECIFICATIONS

Wall mount unit shall be gasketed Die-Cast aluminum housing, impact resistant polycarbonate diffuser. The lamps shall be adjustable for aisle or area distribution.

Fixture shall be supplied with gasket and shall be suitable for installation on any four inch octagonal box.

The remote unit shall be **Emergi-Lite®** model: \_\_\_\_\_.

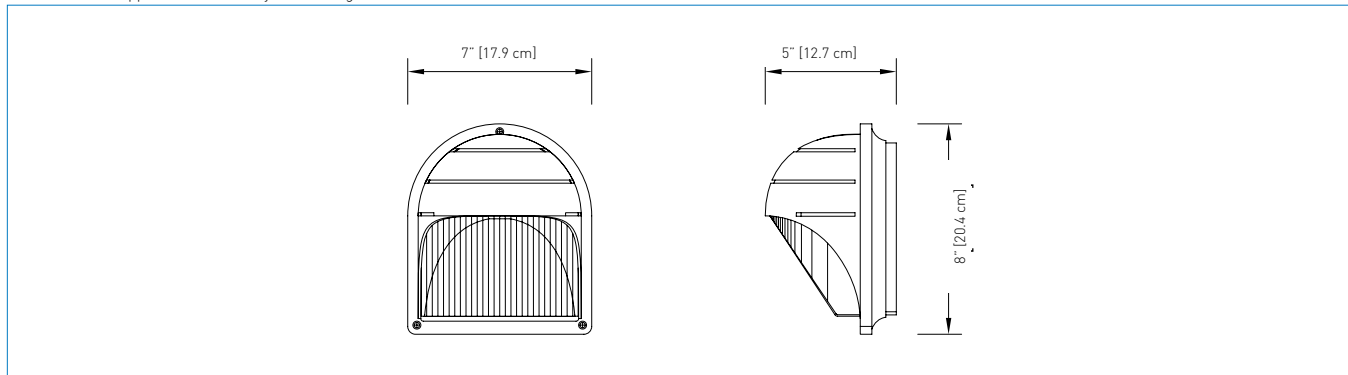
## REPLACEMENT LAMPS

MODEL	LAMP TYPE	VOLTAGE/WATTAGE
580.0079-E	MR16 Flood	6V-10W
580.0080-E	MR16 Flood	12V-12W
580.0068-E	MR16 Flood	24V-20W
580.0077-E	MR16 Flood	24V-20W
580.0070-E	MR16 Flood	24V-12W
580.0097-E	MR16 LED	6V-4W
580.0093-E	MR16 LED	12V-4W
580.0098-E	MR16 LED	24V-4W
580.0100-E	MR16 LED	24V-6W
580.0104-E	MR16 LED	12V-5W
580.0106-E	MR16 LED	12V-6W

For the complete list, please see the lamp chart on pages 156 to 158

## DIMENSIONS

Dimensions are approximate and subject to change.



## ORDERING INFORMATION

SERIES	LAMP TYPE	COLOUR	VOLTAGE/ WATTAGE	OPTIONS
EF33= exterior remote	Blank= (1) med. base socket only (max. 60W) no lamp included M= MR16	Blank= factory white -B= black -BZ= dark bronze -G= dark grey	Blank= no lamps -LA= 2X MR16 LED, 6V-4W -LG= 2X MR16 LED, 12V-4W -LI= 2X MR16 LED, 12V-5W -LJ= 2X MR16 LED, 12V-6W -LL= 2X MR16 LED, 24V-4W -LM= 2X MR16 LED, 24V-6W -LV= 2X MR16 LED, 120V-4W -6V10W= 2X MR16, 6V-10W -12V12W= 2X MR16, 12V-12W -12V20W= 2X MR16, 12V-20W -12V20WH= 2X MR16, 12V-20W high-output -24V12W= 2X MR16, 24V-12W -24V20W= 2X MR16, 24V-20W	C= clear lens -VR= vandal resistant screws  *990.0119-E= tamper-proof bit (sold separately)

EXAMPLE: EF33M-12V12W