

RMV

VANDAL RESISTANT NEW NBC2010 Compliant


Approvals:

CSA Certified to C22.2 #141.15 and C860


DESCRIPTION

The RMV series is designed to withstand extremely abusive environments like correctional facilities and schools. The signs are constructed from 16 gauge steel with an integral Lexan shield. Available in AC only, AC/DC and internally self-powered versions.

CIRCUITRY - AC & AC/DC

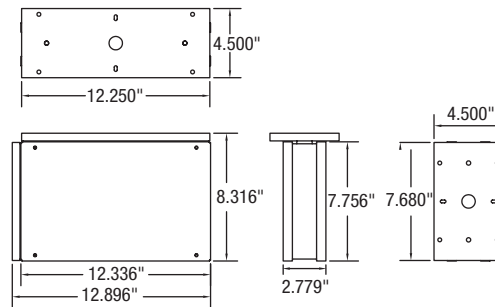
- LED ultra bright light source
- 120/347VAC Input, field selectable
- 1.9W power consumption single or double face
- Emergency DC wattages as follows:
6VDC = 0.9W 12VDC = 0.9W 24VDC = 0.9W

CIRCUITRY - SELF-POWERED

- LED ultra bright light source
- 120/347VAC Input, field selectable
- 2.0W power consumption single or double face
- High-performance, sealed Ni-Cad battery
- 90 minutes emergency duration (standard)
 120 minutes emergency duration is optional
- Solid state transfer and battery charger

MECHANICAL

- 16 Gauge heavy-duty steel construction standard
- Solid and durable wrap-around faceplate design
- Integral polycarbonate shield behind full steel faceplate to prevent punch through
- Stainless steel, vandal-proof screws standard
- Universal spider knockout pattern stamped into backplate for junction box
- Full width/height, ceiling or end mount canopy
- White powder coat finish standard, other finishes and colours optional

DIMENSIONS


Comes standard (single face) with three pictogram legends for direction selection.



Comes standard (double face) with two pictogram legends.



For double face no arrow options, select "0" on the options column.

ORDERING GUIDE

Series	Nbr of faces	Mounting	Colour	DC Voltage	Options†
RMV	1 - Single 2 - Double	CM - Ceiling mount WM - Wall mount EM - End mount	WH - White (standard) BK - Black GY - Grey SP - Custom colour (please specify)	NDC - AC only UDC - Universal DC backup voltage 6, 12 or 24VDC selectable IB - Self-powered for 90 minutes IB1 - Self-powered for 120 minutes	AT*, WG**, BO, WO, OP, HVC, 14GA 0 - No indicators (double face only) ↓ ↑ ↘ ↙ ↖ ↗ D U UR DR DL UL Note: Indicators option available for single & double option only.

† For detailed options descriptions, please consult the options page.

* AT available with IB and IB1.

** Specify mounting.