



RS/RS20/RS30T Series

Surface Mounted Remote Fixture

Type: _____
 Project/Location: _____
 Contractor: _____
 Prepared By: _____
 Date: _____
 Model No.: _____

FEATURES

- PAR36, surface-mounted, large remote fixtures
 - Single, double or triple head
 - Positive aim swivel
 - CSA certified to C22.2 No. 141-15
- See warranty details at: www.tnb.ca/en/brands/lumacell



TYPICAL SPECIFICATIONS

Base and remote head are injection-molded thermoplastic up to 20W lamps, shockproof and flame retardant. Shall be supplied factory white or black. The setting point shall provide visual indication of the light distribution.

The fixture shall be supplied with a canopy to be installed on any standard octagonal box. The housing shall be designed to allow lamp replacement when required.

The remote fixtures shall be certified to CSA 22.2 No.141-15

The remote unit shall be the Lumacell® model: RS _____.

REPLACEMENT LAMPS

MODEL	LAMP TYPE	VOLTAGE/WATTAGE
570.0016-L	Mini tungsten, wedge base	6V-9W
570.0025-L	Mini tungsten, wedge base	12V-9W
580.0023-L	Mini Halogen (quartz), bi-pin	24V-20W

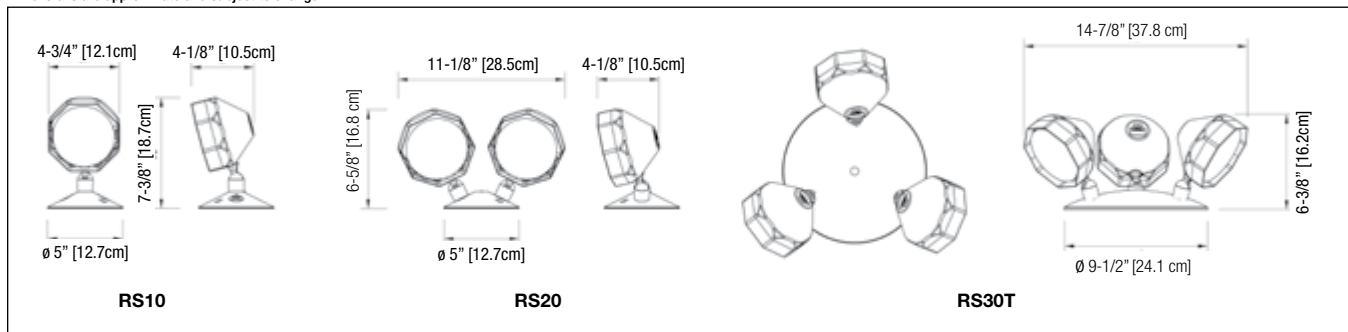
See the complete list p. 152-154.

WIRE GUARDS

460.0035-L	Wall Mount (RS10)
460.0082-L	Wall Mount (RS20)
460.0078-L	Wall Mount (RS30T)

DIMENSIONS

Dimensions are approximate and subject to change.



ORDERING INFORMATION

SERIES	NUMBER OF HEADS	VOLTAGE/WATTAGE/LAMP TYPE	COLOUR	OPTIONS
RS= PAR36	10= single head 20= doublehead 30T= triple head	6V9W= tungsten, 6V-9W, wedge base 6V __ W = tungsten, 6V-18 or 25W, DCB 12V __ W= tungsten, 12V-9 or 18W, wedge base 12V25W= tungsten, 12V-25W, DCB 24V __ W= tungsten, 24V-9 or 18W, wedge base 24V25W= tungsten, 24V-25W, DCB Q6V __ W= halogen, 6V-8, 12 or 20W, bi-pin Q12V __ W= halogen, 12V-8, 12, 20 or 55W, halogen Q24V __ W= halogen, 24V-20 or 70W, bi-pin SB6V __ W= tungsten, 6V-12, 18 or 25W, sealed beam SB12V __ W= tungsten, 12V-12, 18 or 25W, sealed beam QSB6V __ W= halogen, 6V-8, 12 or 20W, sealed beam QSB12V __ W= halogen, 12V-8, 12 or 37W, sealed beam 32V __ W= tungsten, 32V-18 or 25W, DCB 120V __ W= tungsten, 120V-10 or 15W, DCB	Blank= factory white (PVC) BK= black (PVC) C= chrome (metal) M= factory white (metal)	TC= teflon coated lens
		Lamp 50W and above to use metal head only. NOTE : " __ " insert wattage required.		

EXAMPLE: RS106V9W