



RS-WPRB

Remote Fixture

Type: _____
 Project/Location: _____
 Contractor: _____
 Prepared By: _____
 Date: _____
 Model No.: _____

FEATURES

- Sealed beam, surface-mounted, rubber coated industrial remote fixture
- For use in high pressure hose down areas
- Available only in black
- CSA certified to C22.2 No. 141-15

See warranty details at: www.tnb.ca/en/brands/lumacell



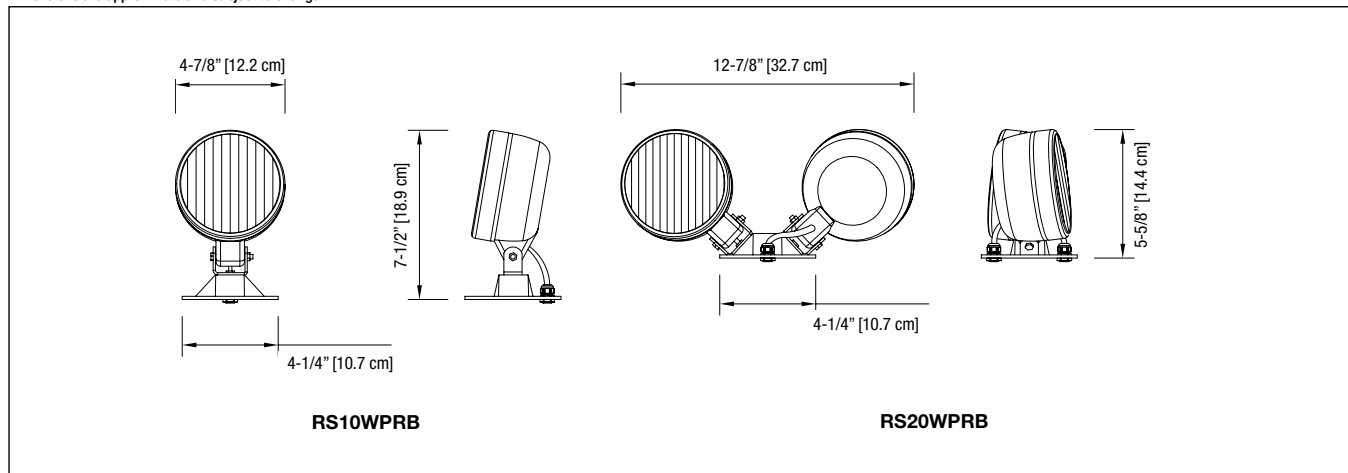
REPLACEMENT LAMPS

MODEL	LAMP TYPE	VAGE-WATTAGE
550.0026-L	Tungsten	12V-12W
550.0027-L	Tungsten	12V-18W
550.0023-L	Tungsten	12V-25W
*580.0030-L	Halogen	12V-55W
*580.0031-L	Halogen	24V-70W

*Lamps for RS10QWPBH. See the complete list p. 152-154.

DIMENSIONS

Dimensions are approximate and subject to change.



ORDERING INFORMATION

SERIES	NUMBER OF HEADS	VOLTAGE/WATTAGE/LAMP TYPE	OPTIONS
RS	10= single head 20= double head	SBWPRB6V__W= tungsten, 6V-9, 12, 18 or 25W, sealed beam SBWPRB12V__W= tungsten, 12V-12, 18 or 25W, sealed beam QSBWPRB6V__W= halogen, 6V-8, 12 or 20W, sealed beam QSBWPRB12V__W= halogen, 12V-8, 12 or 37W, sealed beam	TC= teflon coated lens
		NOTE: " __ " insert wattage required.	

EXAMPLE: RS10SBWPRB6V9W