

# Retract-a-Lite™ Series

## Remote Fixture

Project/Location: \_\_\_\_\_

Contractor: \_\_\_\_\_

Date: \_\_\_\_\_

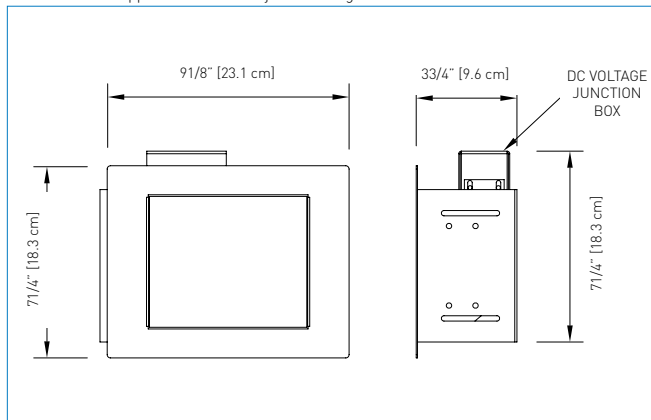
Prepared by: \_\_\_\_\_

### FEATURES

- Remote only visible upon power failure
- Front can be painted or wallpapered on-site to match existing decor
- Fully automatic operation: The unit door opens upon supply with DC voltage from battery and closes after voltage disconnect. Time delay option required on battery unit to properly close the door
- AC line voltage not required
- Emergency lights: Two high efficacy MR16 halogen or MR16 LED lamps
- Certification: CSA C22.2 No.141

### DIMENSIONS

Dimensions are approximate and subject to change.



### WIRE GUARDS

460.0082-E	Wall Mount
------------	------------

### TYPICAL SPECIFICATIONS

Supply and install **Emergi-Lite® Retract-a-Lite™ Series** of remote fixture: The unit shall be designed to be concealed in walls or ceilings with a cavity. The unit equipment shall be completely concealed in the wall or ceiling in the absence of remote power. Upon DC power supply the unit will rotate its door by 180° to expose the emergency lamps, and power them. After the DC power disconnect the lamps will turn off and the unit will conceal the heads by rotating the door by 180°. The DC-remote unit shall not require the presence of AC power in order to open or close the door.

Under normal conditions, the only visible parts of the unit shall be the off-white flat door and trim plate that can be customized on site with paint or other suitable wall covering. The light source shall be MR16 halogen lamps of specified wattage and light output.

The remote unit shall be the **Emergi-Lite®** model: \_\_\_\_\_.

### REPLACEMENT LAMPS: MR16

MODEL	LAMP TYPE	VOLTAGE/WATTAGE
580.0080-E	MR16 12W Flood	12V-12W
580.0064-E	MR16 20W Flood	12V-20W
580.0083-E	MR16 35W Flood	12V-35W
580.0076-E	MR16 50W Flood	12V-50W
580.0068-E	MR16 IR 20W Flood	12V-20W High-output
580.0090-E	MR16 IR 35W Flood	12V-35W High-output
580.0089-E	MR16 IR 50W Flood	12V-50W High-output
580.0084-E	MR16	24V-35W
580.0070-E	MR16	24V-12W
580.0077-E	MR16	24V-20W
580.0078-E	MR16	24V-50W
580.0093-E	MR16 LED	12V-4W
580.0098-E	MR16 LED	24V-4W
580.0100-E	MR16 LED	24V-6W
580.0104-E	MR16 LED	12V-5W
580.0106-E	MR16 LED	12V-6W

For the complete list, please see the lamp chart on pages 156 to 158

### ORDERING INFORMATION

SERIES	WATTAGE FOR EACH OF THE 2 LAMPS	OPTIONS
<b>12RTL</b> = 12VDC remote* <b>24RTL</b> = 24VDC remote**  * The remote fixture is compatible with all Retract-a-Lite™ battery units. ** 12V-24V battery unit must include the time delay function & exclude diagnostic to close door: consult factory for details.	<b>-LG</b> = 2x MR16 LED, 12V-4W <b>-LI</b> = 2x MR16 LED, 12V-5W <b>-LL</b> = 2x MR16 LED, 12V-6W <b>-LJ</b> = 2x MR16 LED, 24V-4W <b>-LM</b> = 2x MR16 LED, 24V-6W <b>-12</b> = 2x MR16 halogen, 12W <b>-20</b> = 2x MR16 halogen, 20W <b>-35</b> = 2x MR16 halogen, 35W <b>-50</b> = 2x MR16 halogen, 50W <b>-20H</b> = 2x MR16-IR, 12V-20W, high output <b>-35H</b> = 2x MR16-IR, 12V-35W, high output <b>-50H</b> = 2x MR16-IR, 12V-50W, high output	<b>TB</b> = T-Bar mounting kit

EXAMPLE: 12RTL-20TB

Project/Location: \_\_\_\_\_

Contractor: \_\_\_\_\_

Date: \_\_\_\_\_

Prepared by: \_\_\_\_\_

# Mini Retract-a-Lite™ Series

For AC Power Generator

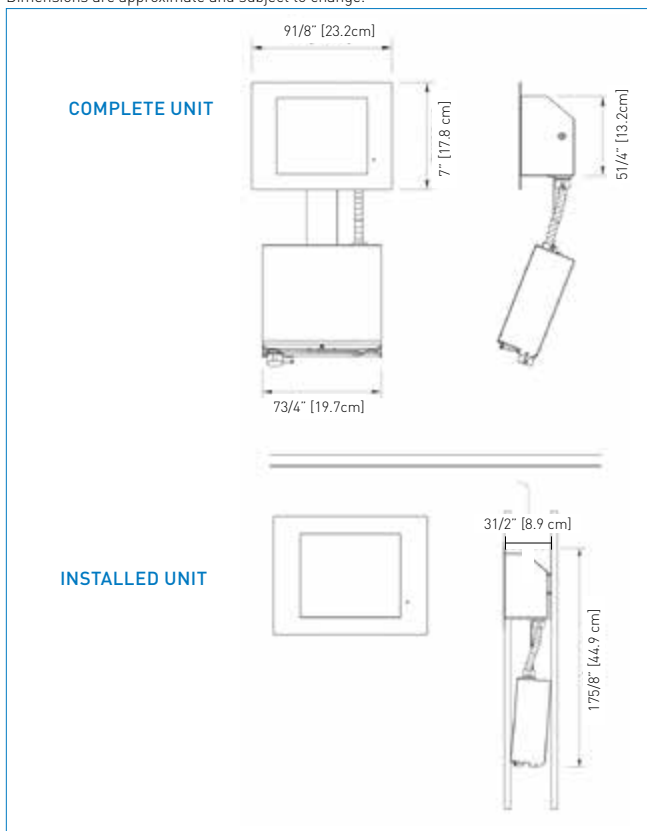


## FEATURES

- Easy to retrofit in finished walls: the unit slides in through an 8.25" by 5.75" hole
- No back-box needed to pre-install
- Output: 12VDC with up to 100W of power
- Direct connection to 120 or 347VAC power generators
- Emergency lights: MR16 halogen and MR16 LED lamps
- Certification: CSA C22.2 No. 141

## DIMENSIONS

Dimensions are approximate and subject to change.



## TYPICAL SPECIFICATIONS

Supply and install **Emergi-Lite® Series Mini Retract-a-Lite™**. The unit shall be designed to be completely concealed in walls with a cavity. The equipment shall consist of a metal housing containing two modules joined by a flexible bracket and electric conduit. One module contains the power transformer and electrical connection box; the other module contains the emergency lights installed on the back of a door able to rotate several turns of 360°. The unit equipment shall be completely concealed in the wall, after the installation through a rectangular opening not larger than 8.25" by 5.75".

In stand-by mode, the only visible parts of the unit shall be the off-white flat door and trim plate that can be customized on site with paint or other suitable wall covering. Upon AC power supply the unit will expose the emergency heads by rotating its door 180° and then will power the lamps. At the end of the AC power, the lamps will turn off and the unit will retract the heads by rotating the door 180° in the same direction.

The unit shall not require the presence of AC power in order to close the door and conceal the lights. The door of the unit shall be easy to force-turn (open or close) by hand. The light source shall be 12V MR16 halogen lamps of specified wattage and light output.

The remote unit shall be the **Emergi-Lite®** model: \_\_\_\_\_



## REPLACEMENT LAMPS

MODEL	TYPE	VOLTAGE/WATTAGE
580.0080-E	MR16 flood	12V-12W
580.0064-E	MR16 flood	12V-20W
580.0083-E	MR16 flood	12V-35W
580.0076-E	MR16 flood	12V-50W
580.0068-E	MR16 IR flood	12V-20W High output
580.0090-E	MR16 IR flood	12V-35W High output
580.0089-E	MR16 IR flood	12V-50W High output
580.0093-E	MR16 LED	12V-4W
580.0104-E	MR16 LED	12V-5W
580.0106-E	MR16 LED	12V-6W

For the complete list, please see the lamp chart on pages 156 to 158

## ORDERING INFORMATION

SERIES	UNIT CAPACITY	AC VOLTAGE	LAMP WATTAGE (12V MR16)
MR	G= remote AC generator, maximum 100W	Blank= 120VAC 2= 277VAC 3= 347VAC	/12= MR16, 12W /20= MR16, 20W /35= MR16, 35W /50= MR16, 50W /20H= MR16, High lumen output, 20W /35H= MR16, High lumen output, 35W /50H= MR16, High lumen output, 50W /LG= MR16 LED, 12V-4W /LI= MR16 LED, 12V-5W /LJ= MR16 LED, 12V-6W

EXAMPLE: MRL80/20HUN

Note: Testing requires minimum 5 seconds of power supply.