



# WonderPack™ WP36 Series

Thermoplastic

Project/Location:	_____
Contractor:	_____
Date:	_____
Prepared by:	_____

## FEATURES

- Injection-molded thermoplastic housing
- Two adjustable glare-free light heads
- Test switch and charge rate indicators
- Emergency mode: min. 90 minutes
- Universal 120/347 VAC input
- CSA C22.2 No. 141 certified
- Innovative snap together design allows for fast installation



## TYPICAL SPECIFICATIONS

The Contractor will install the **Emergi-Lite® WonderPack™ WP36 Series** battery unit.

The emergency lighting system shall consist of fully automatic equipment with two MR16 glare-free halogen heads. Each unit shall contain a fully automatic, solid state charger with test switch and AC on pilot lights.

The unit shall contain a sealed transfer circuit and low voltage disconnect circuit. The battery shall be 6V with a capacity of 29W for 30 minutes.

The unit shall be CSA C22.2 no 141.

The unit shall be **Emergi-Lite®** model: \_\_\_\_\_ .

## WIRE GUARDS

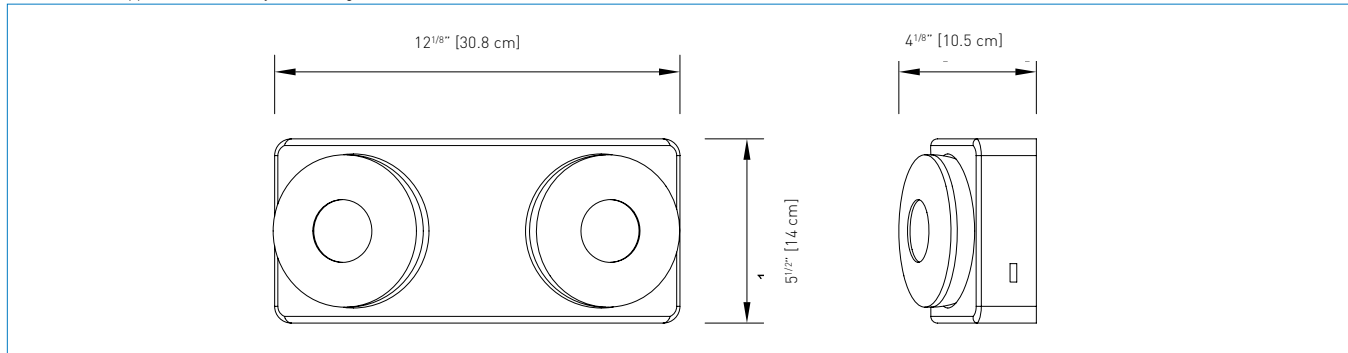
460.0100-E	Wall Mount or Ceiling Mount
------------	-----------------------------

## REPLACEMENT LAMPS

ORDERING CODE	LAMP TYPE	VOLTAGE/ WATTAGE
580.0072-E	MR16	6V-6W
580.0079-E	MR16	6V-10W

## DIMENSIONS

Dimensions are approximate and subject to change.



## POWER CONSUMPTION AND UNIT RATING

MODEL	AC SPECS			DC SPECS	
WP36/2M	120/347VAC	0.06/0.03 A	Less than 6W	6V-10.8W	Min. 90 minutes
WP36/2M10	120/347VAC	0.06/0.03 A	Less than 6W	6V-20W	Min. 30 minutes

## ORDERING INFORMATION

SERIES	CAPACITY	VOLTAGE	# OF LAMPS AND TYPE	OPTION
WP	36= 6V-29W	Blank= 120/347VAC	/2M= two MR16 lamps, 6V-5.4W (standard)	Blank= no options 10= MR16 lamps, 10W

EXAMPLE: WP36/2M10